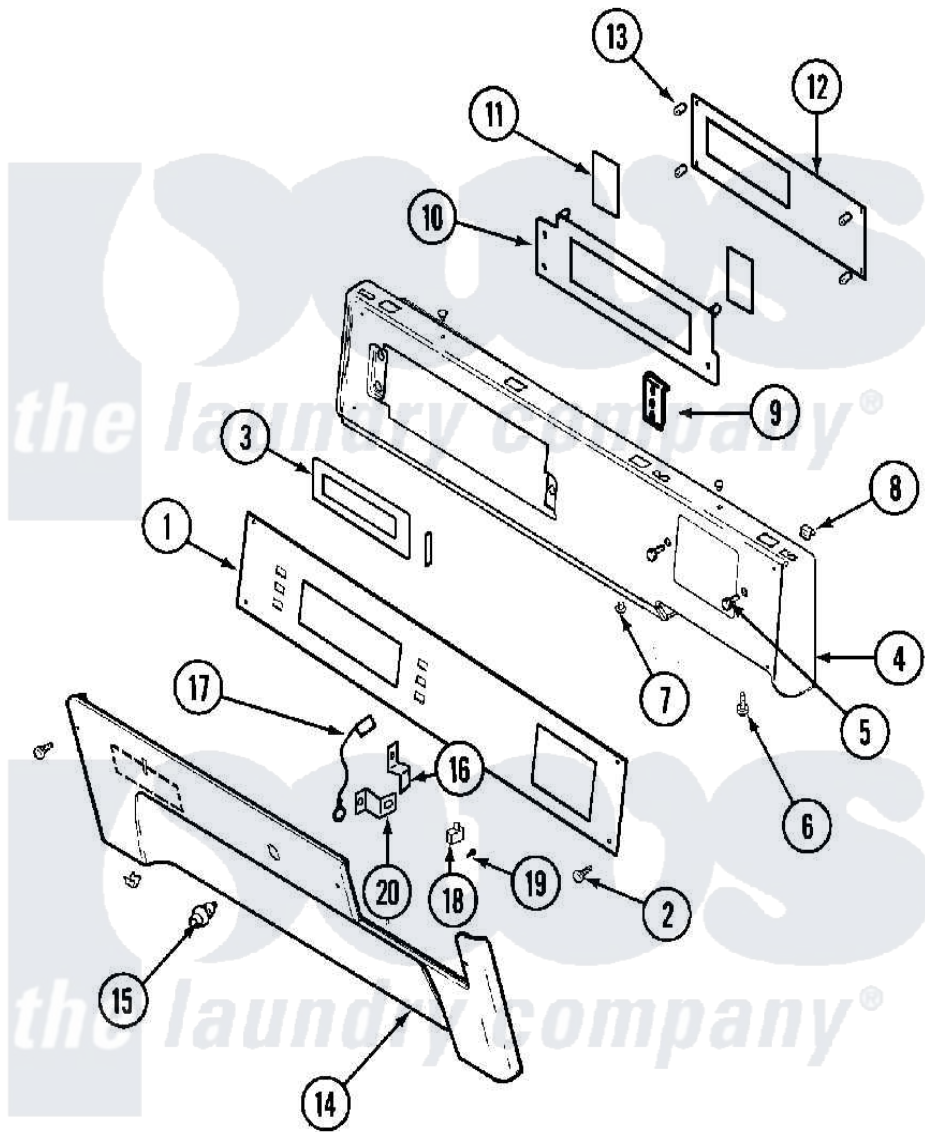


# Maytag MLE15PRAZW 01 - CONTROL PANEL (UPPER)



Maytag Residential Maytag MLE15PRAZW Dryer Parts Parts Diagram 01 - CONTROL PANEL (UPPER)  
 Click on the part number to view part

Item	Original Part Number	Replaced By	Status	Part Description
001	<a href="#">22001976</a>			Bezel
"	<a href="#">22002354</a>			Screw, Back Bracket
"	<a href="#">33002263</a>			Overlay, Control Panel
002	<a href="#">215506</a>			Screw, Control Panel Overlay
003	33002150	<a href="#">W10133268</a>		Cover, Display
004	<a href="#">33002003</a>			Fastener Clip, Control Panel
"	<a href="#">33002264</a>			Panel, Control
005	22002062	<a href="#">98006631</a>		Screw
"	910186	<a href="#">99002757</a>		Screw
006	<a href="#">215506</a>			Screw, Control Panel Overlay
007	33001132	<a href="#">33002342</a>		Plug, Sifht Hole
008	<a href="#">33001977</a>			Fastener, Control Panel
009	215517	<a href="#">W10131113</a>		Push Button
010	<a href="#">33002155</a>			Plate, Control Mounting
"	<a href="#">912077</a>			Locknut, Reader Harness
011	33002152	<a href="#">W10133277</a>		Membrane Switch Assembly

012	<a href="#">33002266</a>	<a href="#">33003008</a>	Control Board
013	<a href="#">33001204</a>		Stand-Off, Ccontrol Board
"	<a href="#">912077</a>		Locknut, Reader Harness
014	<a href="#">215506</a>		Screw, Control Panel Overlay
"	<a href="#">33001980</a>		Fastener, Access Panel
"	<a href="#">33002004</a>		Clip, Fastener
"	<a href="#">33002262</a>		Panel, Access
015	Y206081	<a href="#">W10116737</a>	Lock
016	213750	<a href="#">W10133266</a>	Cam-Lock
017	<a href="#">33001981</a>		Wire, Ground
018	33002117	<a href="#">208042</a>	Switch, Sensor
019	912012	<a href="#">3400409</a>	Screw
020	<a href="#">33001982</a>		Bracket, Switch Mounting
021	<a href="#">33002265</a>		Wire Harness, Main Upper
"	<a href="#">33002269</a>		Wire Harness, Main
"	<a href="#">33002271</a>		Wire Harness, Main
"	<a href="#">33002273</a>		Wireharness, Main
022	<a href="#">33002060</a>		Bracket, Security
023	<a href="#">22001995</a>		Screw Note: Screw, Tumbler Front And Shroud
100	<a href="#">33002267</a>		Reader Harness Kit
101	<a href="#">912077</a>		Locknut, Reader Harness

