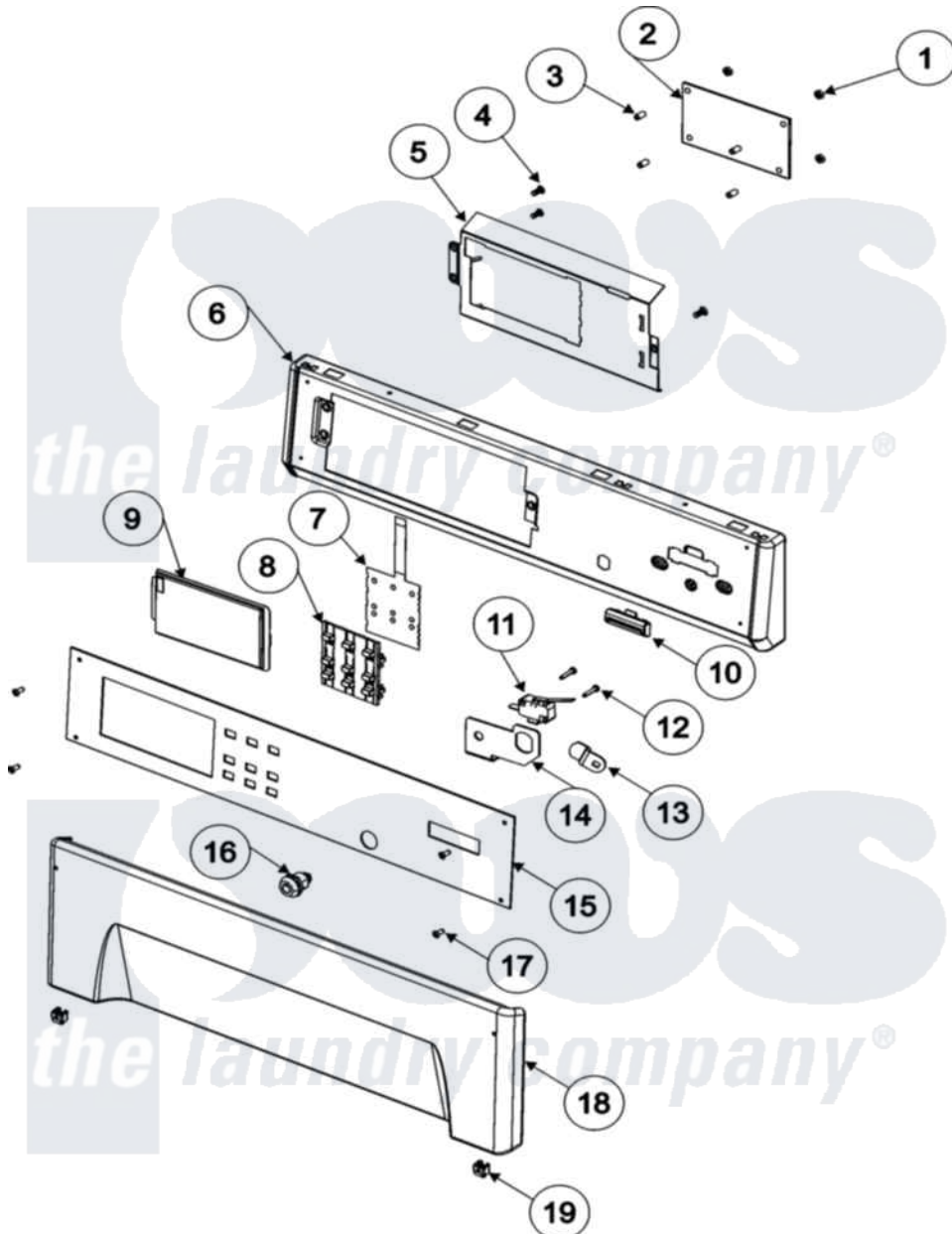


# Maytag MLE19PRDYW 01 - CONTROL PANEL (DRYER)



Maytag Residential Maytag MLE19PRDYW Dryer Parts Parts Diagram 01 - CONTROL PANEL (DRYER)  
 Click on the part number to view part

Item	Original Part Number	Replaced By	Status	Part Description
001	33002156	<a href="#">912077</a>		Locknut, Reader Harness
002	33002359	<a href="#">33003006</a>		Control BO
003	<a href="#">33001204</a>			Stand-Off, Ccontrol Board
004	<a href="#">Y314062</a>			Screw, Door Hinge And Panel
005	<a href="#">33002155</a>			Plate, Control Mounting
006	<a href="#">33002264</a>			Panel, Control
007	33002152	<a href="#">W10133277</a>		Membrane Switch Assembly
008	<a href="#">33002178</a>			Switch, Push Button
009	33002150	<a href="#">W10133268</a>		Cover, Display
010	<a href="#">22001976</a>			Bezel
011	33002117	<a href="#">208042</a>		Switch, Sensor
012	<a href="#">22002368</a>			Screw, Sensor Switch Bracket
013	213750	<a href="#">W10133266</a>		Cam-Lock
014	<a href="#">33001982</a>			Bracket, Switch Mounting
015	<a href="#">33002961</a>			Facia, Commerical WD - Pr
016	Y206081	<a href="#">W10116737</a>		Lock

017	<a href="#">215506</a>	Screw, Control Panel Overlay
018	<a href="#">33002072</a>	Panel, Access
019	<a href="#">33002004</a>	Clip, Fastener
020	<a href="#">22002782</a>	Pad, Foam
"	<a href="#">22003858</a>	EMI Suppression Filter, 16a
"	<a href="#">33001981</a>	Wire, Ground

