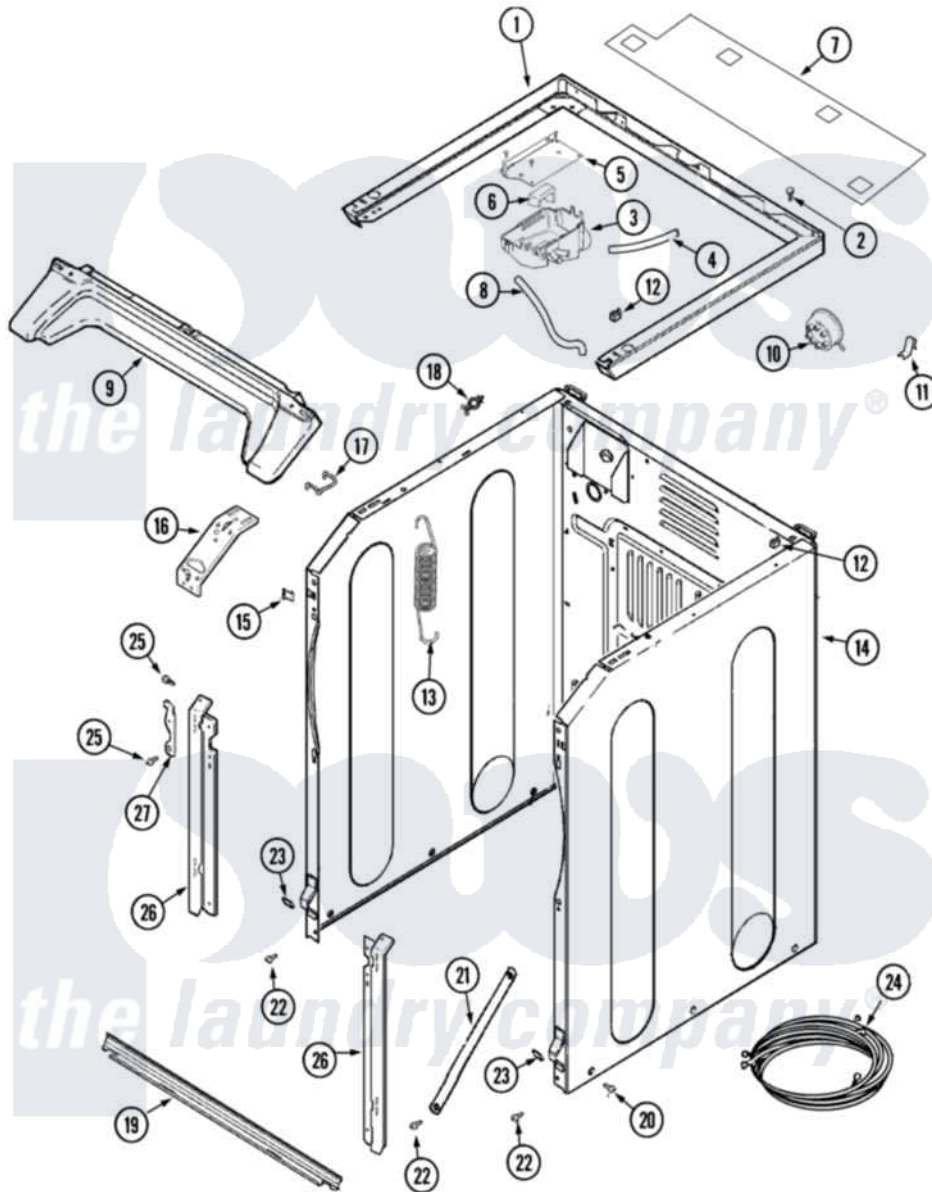


Maytag MLE19PRDYW 08 - CABINET-FRONT (WASHER)



Maytag Residential Maytag MLE19PRDYW Dryer Parts Parts Diagram 08 - CABINET-FRONT (WASHER)
 Click on the part number to view part

| Item | Original Part Number | Replaced By | Status | Part Description |
|------|--------------------------|--------------------------|--------|--|
| 001 | 33002963 | | | Support, Weld Assembly |
| 002 | 214354 | | | Screw, Top Cover To Cabnt. |
| 003 | 33001855 | 33002917 | | Screw, No.10-16 |
| " | 33002775 | | | Vent, Tub |
| 004 | 22002464 | | | Hose, Vent |
| 005 | 33002189 | | | Bracket, Vent Mounting |
| 006 | 22002440 | | | Deflector, Vent |
| 007 | 33002191 | | | Wire Shield |
| " | 33002192 | | | Clip, Shield |
| 008 | 205161 | 489503 | | Clamp |
| " | 33002193 | | | Hose, Shower |
| 009 | 33002011 | | | Cover, Access |
| 010 | 22003728 | | | Switch, Pressure Items 22-30 Listed As Series |
| 011 | 22002006 | | | Clip, Unbalance Switch Harness |
| " | 22002244 | | | Clip, Grounding |

| | | | |
|-----|--------------------------|--------------------------|--|
| 012 | 33002194 | | Nut, Speed |
| 013 | 22002100 | | Spring |
| 014 | 22002179 | 8539404 | Tie-Wire |
| " | 22003639 | | Cabinet Assembly |
| 015 | 22002049 | | Clip Note: Clip, Front Panel |
| 016 | 22003638 | 22003652 | Shroud Support Assembly |
| " | 33002813 | | Corner Bracket - LH Cabinet |
| " | 33002814 | | Corner Bracket - RH Cabinet |
| 017 | 22002297 | | Support, Spring |
| 018 | 315471 | 22003298 | Retainer, Wire |
| 019 | 22003638 | 22003652 | Shroud Support Assembly |
| 020 | 213007 | | Xfor Cabinet See Cabinet, Back |
| 021 | 22002767 | | Brace, Cross |
| 022 | 33002190 | | SCrew, C BraCe, BraCket, Cabinet |
| 023 | 22002013 | | Stop, Shipping |
| 024 | 22004249 | | Harness, Wire Lower |
| 025 | 22001995 | | Screw Note: Screw, Tumbler Front And Shroud |
| 026 | 22003624 | | Bracket, Shroud Support |
| " | 22003625 | | Bracket, Shroud Support |
| 027 | 33002035 | 22002991 | Kit, Access Cover Hook |
| " | 33002036 | 22002991 | Kit, Access Cover Hook |
| " | 33002037 | | Fastener, Access Cover Hook |

