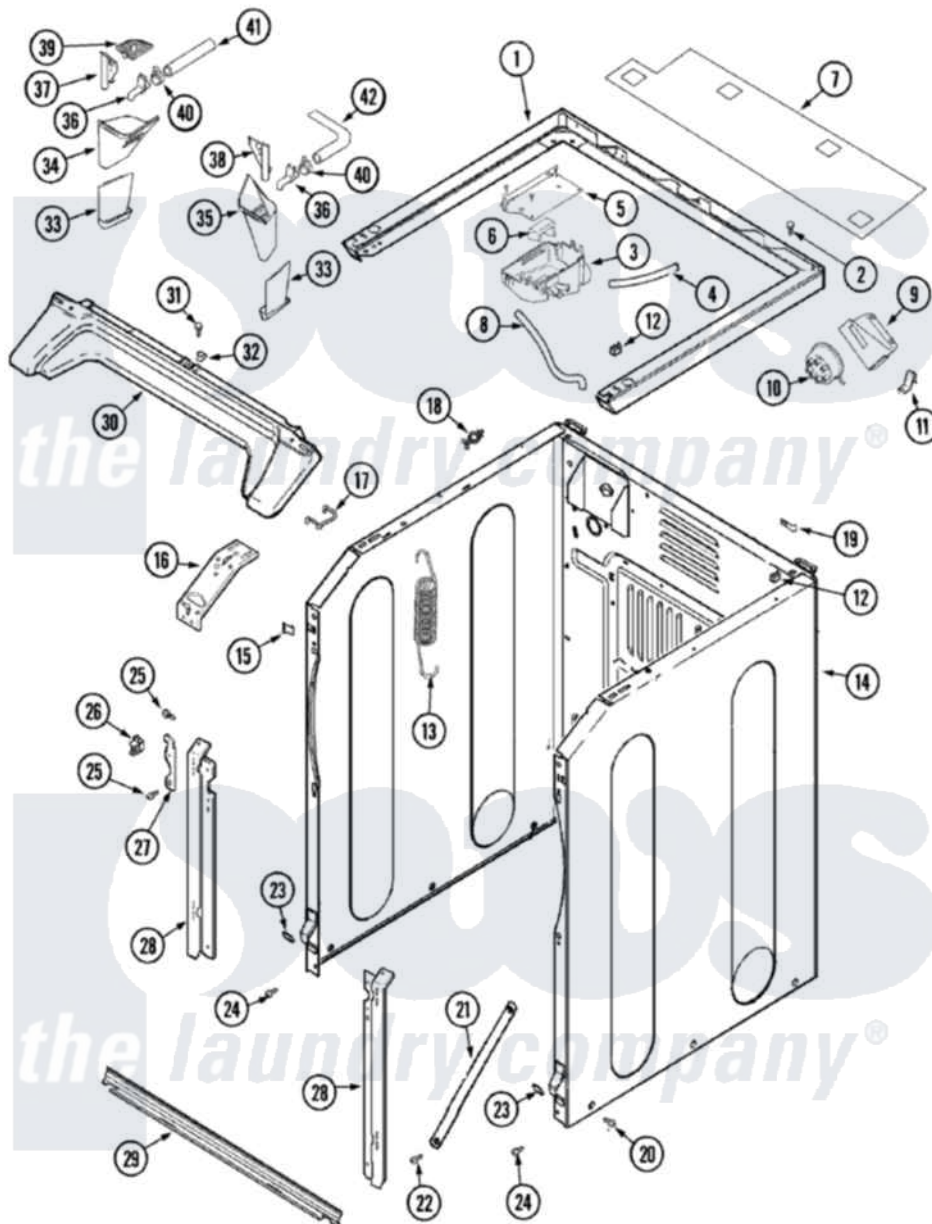


Maytag MLE2000AYW 03 - CABINET-FRONT (WASHER)



Maytag Residential Maytag MLE2000AYW Stacked Washer and Dryer Parts Parts Diagram 03 - CABINET-FRONT (WASHER)

Click on the part number to view part

Item	Original Part Number	Replaced By	Status	Part Description
1	33002187	33002963		Support, Weld Assembly
2	22001883	214354		Screw, Top Cover To Cabnt.
3	22002439	33002775		Vent, Tub
"	33001855	33002917		Screw, No.10-16
4	22002464			Hose, Vent
5	33002189			Bracket, Vent Mounting
"	33002190			SCrew, C BraCe, BraCket, Cabinet
6	22002440			Deflector, Vent
7	33002191			Wire Shield
"	33002192			Clip, Shield
8	205161	489503		Clamp
"	33002193			Hose, Shower
9	Y310376			Clip, Door Switch Harness
"	33002188			Support, Pressure Switch
10	22002048	22002921		Switch- Pr

"	22002994		Switch, Pressure
11	22002244		Clip, Grounding
"	22002006		Clip, Unbalance Switch Harness
12	33002194		Nut, Speed
13	22002100		Spring
"	22003254		Spring, Cabinet To Tub
14	22003582	Not Available	CABINET, ASSY. (WHT-AS PK)
"	22002548	22003639	Cabinet Assembly
15	22002049		Clip Note: Clip, Front Panel
16	22003638	22003652	Shroud Support Assembly
"	33002473		Bracket, Corner
"	33002095	33002474	Bracket, Corner
"	22003908		Vapor Barrier
"	33002474		Bracket, Corner
"	33002010	33002473	Bracket, Corner
17	22002297		Support, Spring
18	315471	22003298	Retainer, Wire
19	22002178		Bracket, Air Dome Hose
20	213007		Xfor Cabinet See Cabinet, Back
"	22003409	213007	Xfor Cabinet See Cabinet, Back
21	22002259	22002767	Brace, Cross
22	33002190		SCrew, C BraCe, BraCket, Cabinet
23	22002013		Stop, Shipping
24	33002190		SCrew, C BraCe, BraCket, Cabinet
25	22001995		Screw Note: Screw, Tumbler Front And Shroud
26	22002001		Support, Hinge
27	33002037		Fastener, Access Cover Hook
28	22002034	22003224	Bracket, Shroud
"	22002035	22002985	Bracket, Shroud
29	22001993		Bridge, Shroud Support
"	22003638	22003652	Shroud Support Assembly
30	33002011		Cover, Access
31	22001995		Screw Note: Screw, Tumbler Front And Shroud
32	33002013		Fastener Clip, Access Cover
33	33002196		Grate, Overflow
"	33002195		Grate, Overflow
34	33002197		Cup, Bleach Dispenser
35	33002198		Cup, Fabric Softener Dispenser
36	33002199		Spout, Dispenser Fill
37	33002200		Cap, Bleach Dispenser
38	33002201		Cap, Fabric Softener
39	33002204		Screen, Bleach Cup
40	205161	489503	Clamp
41	22003653		Retainer, Dispenser Hose
"	33002207		Hose, Bleach
42	33002208		Hose, Fabric Softener
43	22002006		Clip, Unbalance Switch Harness

"	22002694		Wire Harness, Main
"	22003820		Wire Harness / Hh / Unbalance
44	22002523		Connector
"	22002526		Pin
"	22002525		Pin
45	22003837	22002506	Shroud And Dispenser Hose

