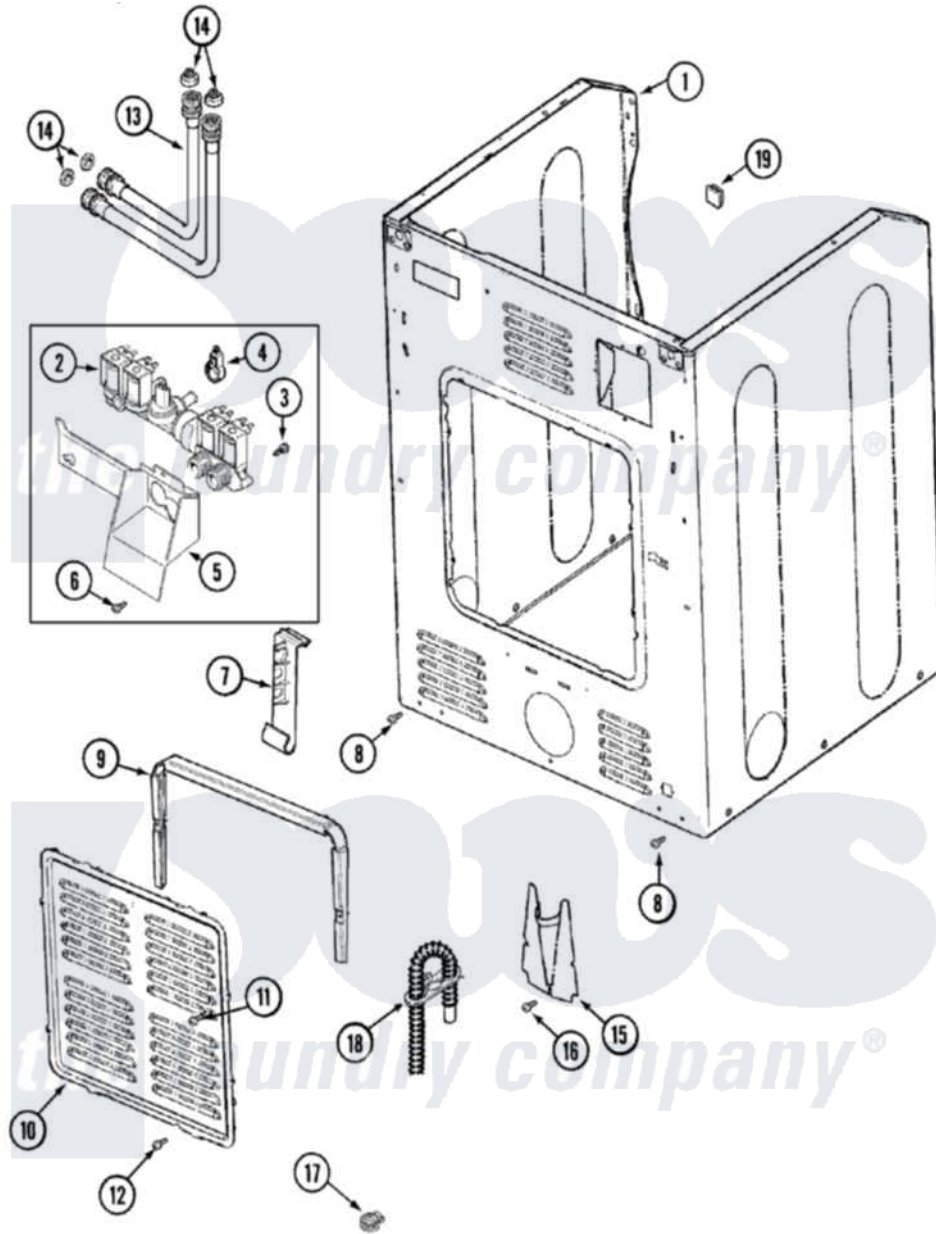


# Maytag MLE2000AZW 05 - CABINET-REAR (WASHER)



Maytag Residential Maytag MLE2000AZW Stacked Washer and Dryer Parts Parts Diagram 05 - CABINET-REAR (WASHER)

Click on the part number to view part

Item	Original Part Number	Replaced By	Status	Part Description
1	22003582		Not Available	CABINET, ASSY. (WHT-AS PK)
"	22003367	<a href="#">22004095</a>		Hinge, Plastic
"	<a href="#">213007</a>			Xfor Cabinet See Cabinet, Back
"	<a href="#">22001995</a>			Screw Note: Screw, Tumbler Front And Shroud
"	22002548	<a href="#">22003639</a>		Cabinet Assembly
2	<a href="#">22002437</a>			Valve, Water
3	<a href="#">22002436</a>			Screw, Water Valve Bracket
4	205161	<a href="#">489503</a>		Clamp
5	<a href="#">33002212</a>			Bracket, Water Valve
6	22001996	<a href="#">3370225</a>		Screw
7	<a href="#">33002213</a>			Rack, Hose
8	<a href="#">22001995</a>			Screw Note: Screw, Tumbler Front And Shroud
9	<a href="#">22002022</a>			Spacer, Access Panel

10	<a href="#">22002092</a>		Panel, Access
"	<a href="#">22004355</a>		Rear Access Panel
11	22002295	<a href="#">67006908</a>	Screw, Ice Rack
"	22002925	<a href="#">3370225</a>	Screw
12	22001996	<a href="#">3370225</a>	Screw
13	33002214	<a href="#">202860</a>	Inlet Hose Assembly
14	<a href="#">Y013783</a>		Washer, Inlet Hose
15	22002093	<a href="#">22002704</a>	Cover, Drain Hose
16	<a href="#">22001995</a>		Screw Note: Screw, Tumbler Front And Shroud
17	22001984	<a href="#">285655</a>	Clamp, Hose
18	22002891	<a href="#">12001807</a>	Drain Hose Kit
"	<a href="#">22002892</a>		Retainer, Drain Hose
"	22002893	<a href="#">8539404</a>	Tie-Wire
"	12001659	<a href="#">12001807</a>	Drain Hose Kit
19	<a href="#">215950</a>		(UPPER CABINET)

