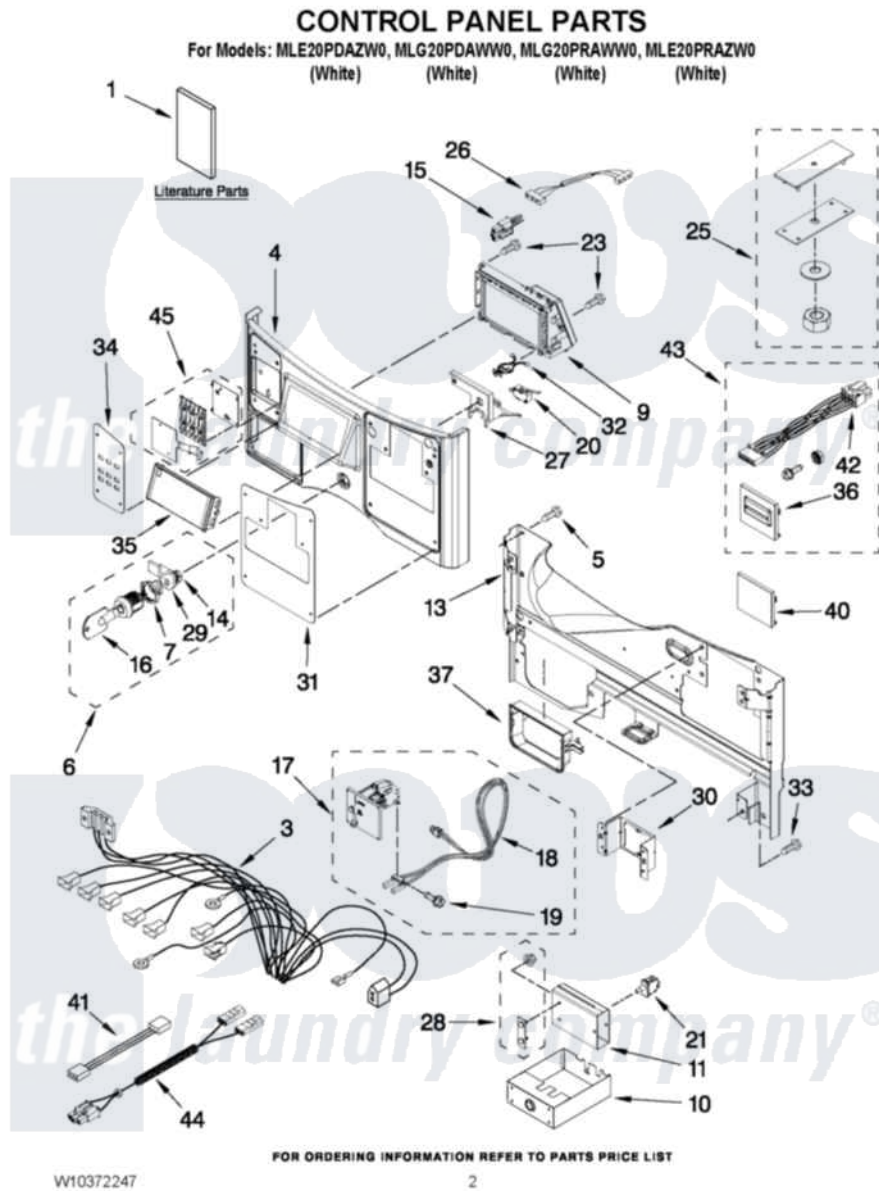


# Maytag MLE20PRAZW0 01 - CONTROL PANEL PARTS



Maytag [Residential Maytag MLE20PRAZW0 Washer/Dryer Parts](#) Parts Diagram 01 - CONTROL PANEL PARTS  
 Click on the part number to view part

Item	Original Part Number	Replaced By	Status	Part Description
1	W10045641		Not Available	INSTALLATION INSTRUCTION
"	W10434041		Not Available	INSTALLATION INSTRUCTION
"	W10335471		Not Available	TECH SHEET
"	W10372247		Not Available	PARTS LIST
3	<a href="#">W10242901</a>			Harness, Main
"	<a href="#">W10242899</a>			Harness, Main
4	<a href="#">W10198200</a>			Panel Assembly
"	<a href="#">W10198201</a>			Panel Assembly
5	3390647	<a href="#">488729</a>		Screw
6	<a href="#">W10133264</a>			Lock Assembly, Service Door
7	<a href="#">W10139762</a>			Hex Nut, 3/4-27
9	<a href="#">W10198219</a>			Techbox Assembly
"	<a href="#">W10198220</a>			Techbox Assembly
10	<a href="#">W10133248</a>			Coin Box
11	<a href="#">W10133258</a>			Vault-Body Assembly

13	<a href="#">W10198321</a>		Console Bracket
14	<a href="#">W10177242</a>		Hex-Nut 9/32 - 28
15	<a href="#">W10133282</a>		Switch, Jumper Service Vault
16	<a href="#">W10140858</a>		Key
17	<a href="#">W10133245</a>		Dual Coin Drop Assembly
"	<a href="#">W10133242</a>		Coin Drop Assembly
18	<a href="#">W10247389</a>		Sensor
"	<a href="#">W10247388</a>		Coin Optic Sensor Assembly Coin 2
19	<a href="#">W10142655</a>		Screw, 6-20 X 1.00
20	<a href="#">W10133280</a>		Service Access, Switch
21	<a href="#">W10131838</a>		Switch, Vault And Service Door
23	W10192860	<a href="#">W10273971</a>	Screw, 6-19 X 1/2
25	<a href="#">W10169579</a>		Kit-Coin Box, Security
26	<a href="#">W10242897</a>		Harness, Wire Dryer CCU To Uic
27	<a href="#">W10198375</a>		Support-Console
28	<a href="#">W10159907</a>		Mounting Strap, Weld Assembly
29	<a href="#">W10133266</a>		Cam-Lock
30	<a href="#">W10198322</a>		Bracket PD
"	<a href="#">W10198323</a>		Bracket
31	<a href="#">W10198334</a>		Fascia
"	<a href="#">W10198336</a>		Fascia
32	8019P013-60	<a href="#">74006883</a>	Clamp- Pur
33	W10386302	<a href="#">W10131119</a>	Screw, 8-18 X 5/16
34	<a href="#">W10198284</a>		Fascia-Buttons
35	<a href="#">W10198390</a>		Window Display
36	<a href="#">W10198367</a>		Card Reader, Bezel
37	<a href="#">W10198345</a>		Collar, Dispenser
40	<a href="#">W10198366</a>		Cover, PD And Pn
41	<a href="#">W10342214</a>		CCU To MCU-Serial Communication
42	<a href="#">W10239515</a>		Card Reader, Harness
43	<a href="#">W10198451</a>		Card Reader, Conversion Kit
44	<a href="#">W10300896</a>		Wire Harness, Vault Switch
45	<a href="#">W10198198</a>		Button Set, Assembly

