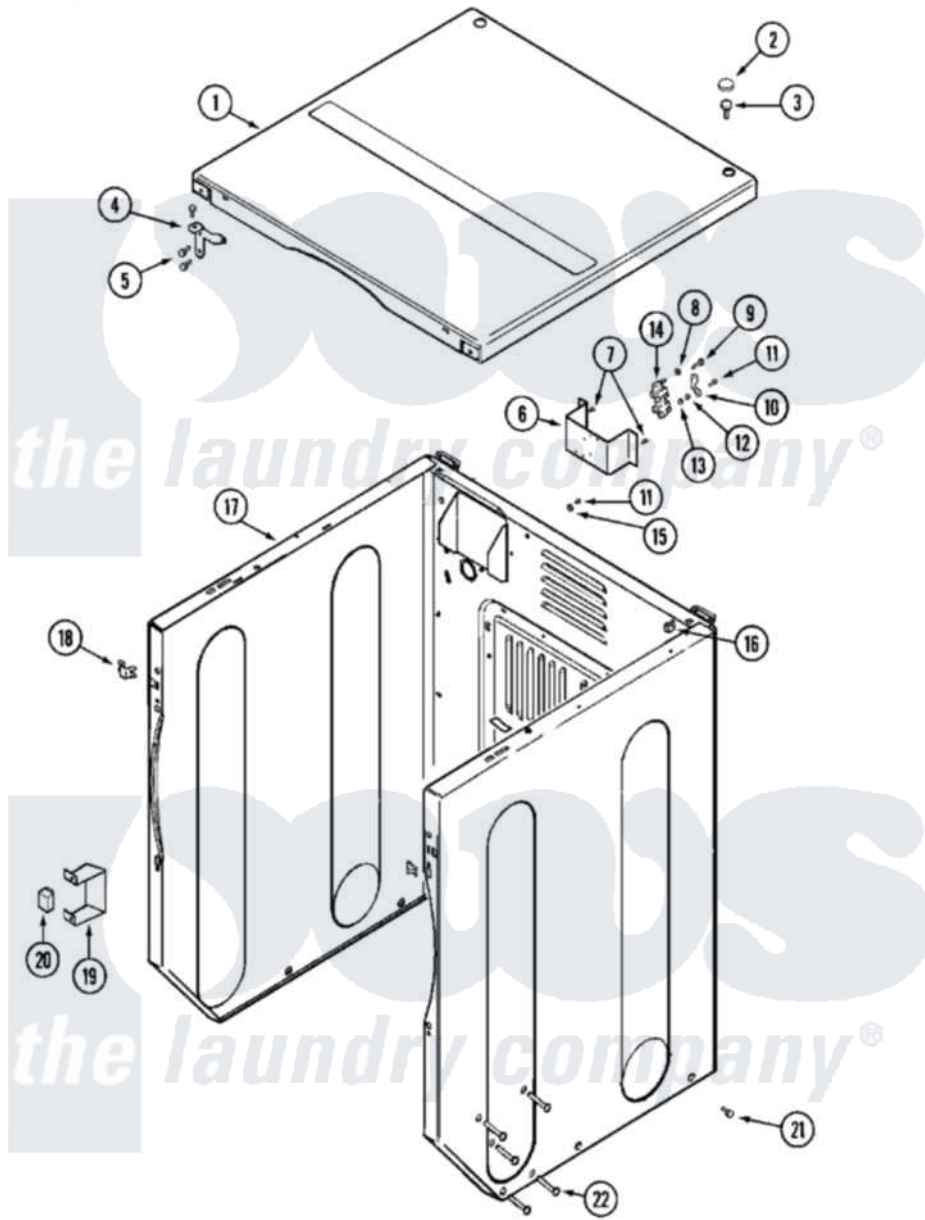


# Maytag MLE23PDAYQ 03 - CABINET-FRONT (UPPER)



Maytag Residential Maytag MLE23PDAYQ Dryer Parts Parts Diagram 03 - CABINET-FRONT (UPPER)  
 Click on the part number to view part

Item	Original Part Number	Replaced By	Status	Part Description
001	<a href="#">33002124</a>			Cover, Top
"	NLA		Not Available	COVER, TOP (BSQ)
002	<a href="#">33001997</a>			Plug, Hole
003	22001883	<a href="#">214354</a>		Screw, Top Cover To Cabnt.
004	<a href="#">33001998</a>			Bracket, Top Cover
"	<a href="#">33001999</a>			Bracket, Top Cover
005	<a href="#">22001995</a>			Screw Note: Screw, Tumbler Front And Shroud
006	NLA		Not Available	BRACKET, TERMINAL BLOCK---NA
007	<a href="#">22001995</a>			Screw Note: Screw, Tumbler Front And Shroud
008	<a href="#">Y311270</a>			Washer, Terminal Block
009	Y312209	<a href="#">W10001200</a>		Screw
010	<a href="#">Y312184</a>			Strap, Grounding
011	NLA		Not Available	SCREW, GROUND STRAP
012	311484	<a href="#">112432</a>		Nut

013	<a href="#">311093</a>		Washer, Terminal Connection
014	<a href="#">33001244</a>		Block, Terminal
015	NLA	Not Available	WASHER, GROUND LUG
016	<a href="#">22001502</a>		Fastener, U-NUt
017	<a href="#">33002811</a>		Cabinet Upper As Pack--NA
"	<a href="#">33002812</a>		Cabinet Upper As Pack
018	<a href="#">33001980</a>		Fastener, Access Panel
019	<a href="#">Y313561</a>		Screw---NA
"	<a href="#">33002002</a>		Bracket, Switch
"	Y310632	<a href="#">1163839</a>	Screw
020	206824	<a href="#">W10133335</a>	Relay, Motor
"	Y251119	<a href="#">3177991</a>	Screw
021	<a href="#">213007</a>		Xfor Cabinet See Cabinet, Back
"	22003409	<a href="#">213007</a>	Xfor Cabinet See Cabinet, Back
022	<a href="#">33001991</a>		Bolt, Carriage

