

# Maytag MLE23PDFUW 14 - WIRING INFORMATION(ELEC)

## Diagnostic Mode:

This mode is normally accessed by pressing the **LAUNDRY SIGNAL** button on the control panel for 1 second while in any of the ready modes. Once through the diagnostic mode, the display will show the diagnostic code in the upper right corner, or will display the diagnostic code in the upper right corner of the display.

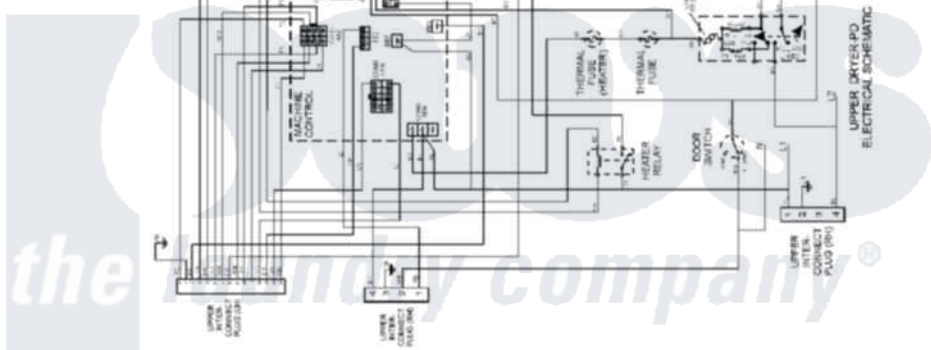
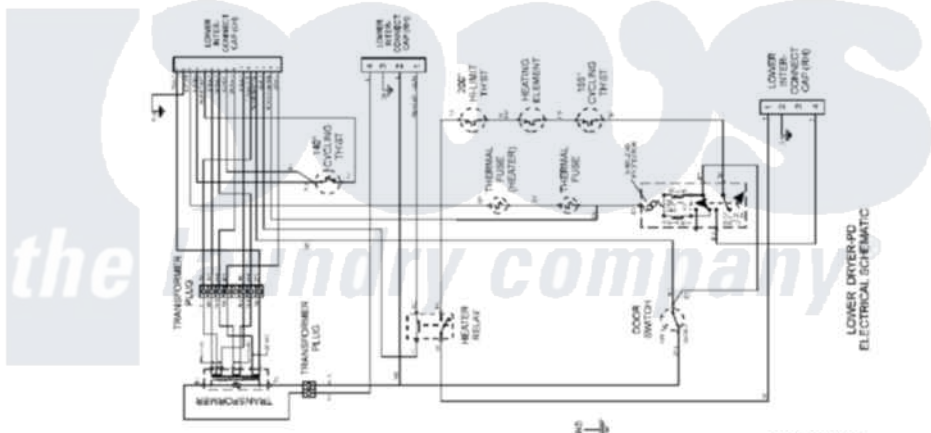
Once in diagnostic mode, the settings display will flash, and pressing an arrow will be cleared. Pressing an arrow will be cleared. If a diagnostic code persists on either of the displays, the fault must be corrected before the following cycle options are permitted. Procedures to initiate cycle activity from diagnostic mode are as follows:

1. **Upper Dryer Field Diagnostic Cycle** - With the control panel in diagnostic mode, press the **PERMANENT PRESS** key pad. This cycle consists of seven minutes of heat and six minutes of cool down. The **UPPER DRYER** **WHITES & COLORS** key pad will increase the diagnostic cycle minutes by 30 seconds. The **UPPER DRYER** **DRYER DELICATES** key pad will cancel this cycle and exit the diagnostic mode.
2. **Lower Dryer Field Diagnostic Cycle** - With the control panel in diagnostic mode, press the **PERMANENT PRESS** key pad. This cycle consists of seven minutes of heat and six minutes of cool down. The **LOWER DRYER** **WHITES & COLORS** key pad will increase the diagnostic cycle minutes by 30 seconds. The **LOWER DRYER** **DRYER DELICATES** key pad will cancel this cycle and exit the diagnostic mode.

## Diagnostic Codes:

If the set up results in control and one of the diagnostic codes is displayed, the appropriate diagnostic code will be on the display.

- #1 - Upper dryer door sensor error (no contact) based on the fact that the maximum upper dryer cycle time is 120 minutes. If the upper dryer diagnostic code is normally cleared.
- #2 - Lower dryer door sensor error (no contact) based on the fact that the maximum lower dryer cycle time is 120 minutes. If the lower dryer diagnostic code is normally cleared.
- #3 - Blocked load (excess clothes) detected (no contact) based on the fact that the maximum cycle time is 120 minutes. If the diagnostic code is normally cleared.
- #4 - Upper dryer motor sense error (no contact) based on the fact that the maximum upper dryer cycle time is 120 minutes. If the upper dryer diagnostic code is normally cleared.
- #5 - Lower dryer motor sense error (no contact) based on the fact that the maximum lower dryer cycle time is 120 minutes. If the lower dryer diagnostic code is normally cleared.
- #6 - No incoming communication from installed data card reader in residential (temperature 2) Min (no contact) based on the fact that the maximum cycle time is 120 minutes. If the diagnostic code is normally cleared.
- #7 - Lower dryer door sensor error (no contact) based on the fact that the maximum lower dryer cycle time is 120 minutes. If the lower dryer diagnostic code is normally cleared.
- #8 - Upper dryer door sensor error (no contact) based on the fact that the maximum upper dryer cycle time is 120 minutes. If the upper dryer diagnostic code is normally cleared.



6 3720380

Maytag Residential Maytag MLE23PDFUW Dryer Parts Parts Diagram 14 - WIRING INFORMATION(ELEC)

Click on the part number to view part

Item	Original Part Number	Replaced By	Status	Part Description
001	NLA		Not Available	WIRING INFORMATION

