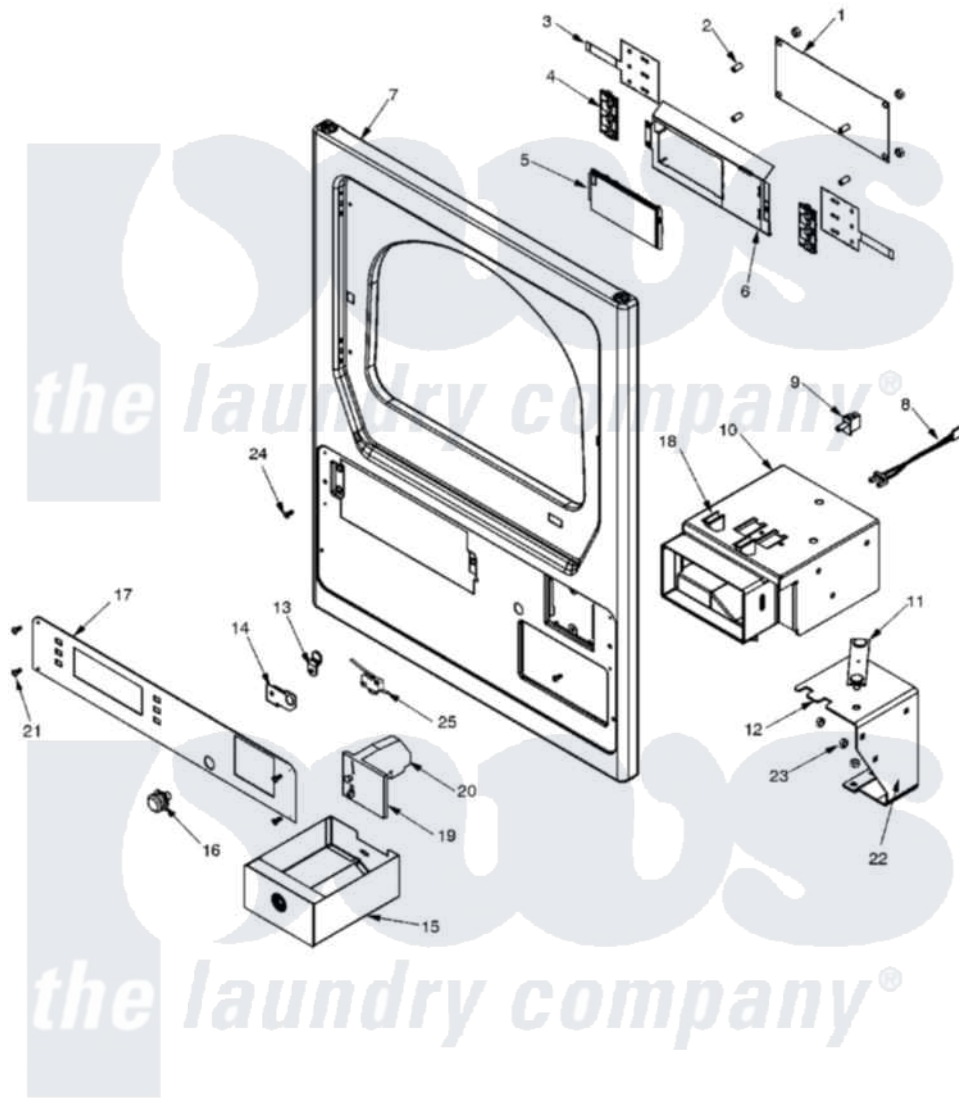


Maytag MLE23PDFYW 01 - CONTROL PANEL



Maytag [Residential Maytag MLE23PDFYW Dryer Parts](#) Parts Diagram 01 - CONTROL PANEL
 Click on the part number to view part

Item	Original Part Number	Replaced By	Status	Part Description
001	33002608	33003008		Control Board
"	912077			Locknut, Reader Harness
002	33001204			Stand-Off, Ccontrol Board
003	33002152	W10133277		Membrane Switch Assembly
004	215517	W10131113		Push Button
005	33002150	W10133268		Cover, Display
006	33002155			Plate, Control Mounting
007	33002823			Panel, PD Flat Front
008	22001965			Optic Switch Assembly
"	314665			Screw, Switch Assembly
009	33001250			Switch, Vault And Service Door
010	22004157			Assembly, Coin Vault---NA
011	22001810		Not Available	STRAP, MOUNTING
"	910181			Lockwasher, Terminal Block
012	33002763			Vault Mounting Bracket
013	213750	W10133266		Cam-Lock

014	33001982		Bracket, Switch Mounting
015	22004158		Assembly, Coin Box
016	22002349	W10116737	Lock
017	33002828		Facia, Comm. - PD D/D
018	314635		Chute, Coin
019	33002644		Dual Faceplate Assembly
"	33002647		Single Faceplate Assembly
020	22003678	22004112	Coin Drop Greenwald Us.25
"	22003898	W10133245	Dual Coin Drop Assembly
"	22004112		Coin Drop Greenwald Us.25
"	22004113	W10133245	Dual Coin Drop Assembly
"	22004114		Coin Drop Greenwald .25
"	33002645		Coin Drop-Canada
"	33002646		Coin Drop-Canada
"	33002648		Coin Drop-U.S.
021	215506		Screw, Control Panel Overlay
022	33001991		Bolt, Carriage
023	Y052734		Nut, Carrage Bolts And Bracket
024	33002051	Not Available	SCREW, FRONT PANEL
025	33002117	208042	Switch, Sensor

