

# Maytag MLE23PDHZW 11 - WIRING INFORMATION(ELEC)

## Diagnostic Mode:

This mode is normally accessed by pressing the **LAUNDRY SIGNAL** button on the control panel for 1 second while in any of the dryer modes (see through the screen a diagnostic code is present, or which, **CLAS** displays if operating with Maytag Data Diagnostic menu).

One step to diagnostic mode the settings display will flash, and certain functions will be cleared, cancelled, memory an error will be cleared, and diagnostic codes are cleared. If a diagnostic code persists on either of the machines, the fault must be corrected before the following cycle options are permitted.

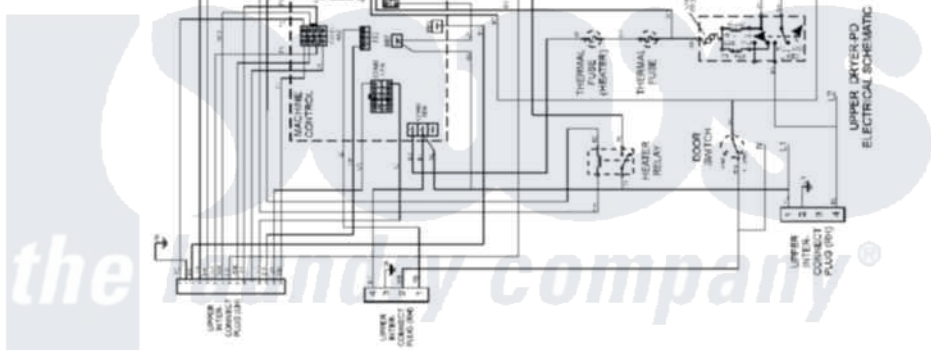
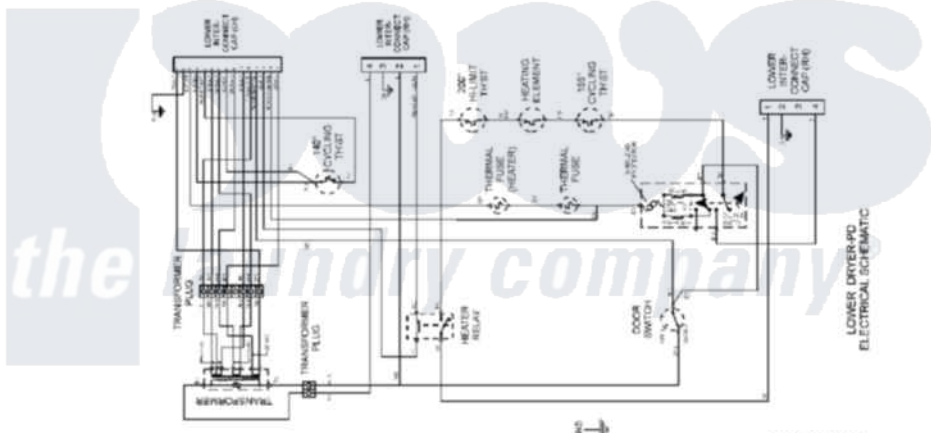
Procedures to initiate cycle activity from diagnostic mode are as follows:

1. **Upper Dryer Field Diagnostic Cycle** - With the control panel in diagnostic mode, press the **PERMANENT PRESS** key pad. This cycle consists of seven minutes of heat and six minutes of cool down. The **UPPER DRYER** **WHITES & COLORS** key pad will increase the diagnostic cycle minutes up to 120 minutes. The **UPPER DRYER** **DRYER DELICATES** key pad will cancel this cycle and exit the diagnostic mode.
2. **Lower Dryer Field Diagnostic Cycle** - With the control panel flashing, this cycle is entered by pressing the **LOWER DRYER**

## Diagnostic Codes:

If the set up results in control and one of the following diagnostic codes, the appropriate diagnostic code will be on the display:

- #1 - Upper dryer door sensor error (no contact) based on the fact to power the incandescent upper dryer door sensor. (See diagnostic code #1) (See diagnostic code #1) (See diagnostic code #1)
- #2 - Lower dryer door sensor error (no contact) based on the fact to power the incandescent lower dryer door sensor. (See diagnostic code #2) (See diagnostic code #2) (See diagnostic code #2)
- #3 - Upper dryer door sensor error (no contact) based on the fact to power the incandescent upper dryer door sensor. (See diagnostic code #3) (See diagnostic code #3) (See diagnostic code #3)
- #4 - Lower dryer door sensor error (no contact) based on the fact to power the incandescent lower dryer door sensor. (See diagnostic code #4) (See diagnostic code #4) (See diagnostic code #4)
- #5 - Upper dryer door sensor error (no contact) based on the fact to power the incandescent upper dryer door sensor. (See diagnostic code #5) (See diagnostic code #5) (See diagnostic code #5)
- #6 - Lower dryer door sensor error (no contact) based on the fact to power the incandescent lower dryer door sensor. (See diagnostic code #6) (See diagnostic code #6) (See diagnostic code #6)
- #7 - Upper dryer door sensor error (no contact) based on the fact to power the incandescent upper dryer door sensor. (See diagnostic code #7) (See diagnostic code #7) (See diagnostic code #7)
- #8 - Lower dryer door sensor error (no contact) based on the fact to power the incandescent lower dryer door sensor. (See diagnostic code #8) (See diagnostic code #8) (See diagnostic code #8)
- #9 - Upper dryer door sensor error (no contact) based on the fact to power the incandescent upper dryer door sensor. (See diagnostic code #9) (See diagnostic code #9) (See diagnostic code #9)
- #10 - Lower dryer door sensor error (no contact) based on the fact to power the incandescent lower dryer door sensor. (See diagnostic code #10) (See diagnostic code #10) (See diagnostic code #10)
- #11 - Upper dryer door sensor error (no contact) based on the fact to power the incandescent upper dryer door sensor. (See diagnostic code #11) (See diagnostic code #11) (See diagnostic code #11)
- #12 - Lower dryer door sensor error (no contact) based on the fact to power the incandescent lower dryer door sensor. (See diagnostic code #12) (See diagnostic code #12) (See diagnostic code #12)
- #13 - Upper dryer door sensor error (no contact) based on the fact to power the incandescent upper dryer door sensor. (See diagnostic code #13) (See diagnostic code #13) (See diagnostic code #13)
- #14 - Lower dryer door sensor error (no contact) based on the fact to power the incandescent lower dryer door sensor. (See diagnostic code #14) (See diagnostic code #14) (See diagnostic code #14)
- #15 - Upper dryer door sensor error (no contact) based on the fact to power the incandescent upper dryer door sensor. (See diagnostic code #15) (See diagnostic code #15) (See diagnostic code #15)
- #16 - Lower dryer door sensor error (no contact) based on the fact to power the incandescent lower dryer door sensor. (See diagnostic code #16) (See diagnostic code #16) (See diagnostic code #16)
- #17 - Upper dryer door sensor error (no contact) based on the fact to power the incandescent upper dryer door sensor. (See diagnostic code #17) (See diagnostic code #17) (See diagnostic code #17)
- #18 - Lower dryer door sensor error (no contact) based on the fact to power the incandescent lower dryer door sensor. (See diagnostic code #18) (See diagnostic code #18) (See diagnostic code #18)
- #19 - Upper dryer door sensor error (no contact) based on the fact to power the incandescent upper dryer door sensor. (See diagnostic code #19) (See diagnostic code #19) (See diagnostic code #19)
- #20 - Lower dryer door sensor error (no contact) based on the fact to power the incandescent lower dryer door sensor. (See diagnostic code #20) (See diagnostic code #20) (See diagnostic code #20)



6 3720380

Maytag Residential Maytag MLE23PDHZW Dryer Parts Parts Diagram 11 - WIRING INFORMATION(ELEC)  
 Click on the part number to view part

Item	Original Part Number	Replaced By	Status	Part Description
001	NLA		Not Available	WIRING INFORMATION

