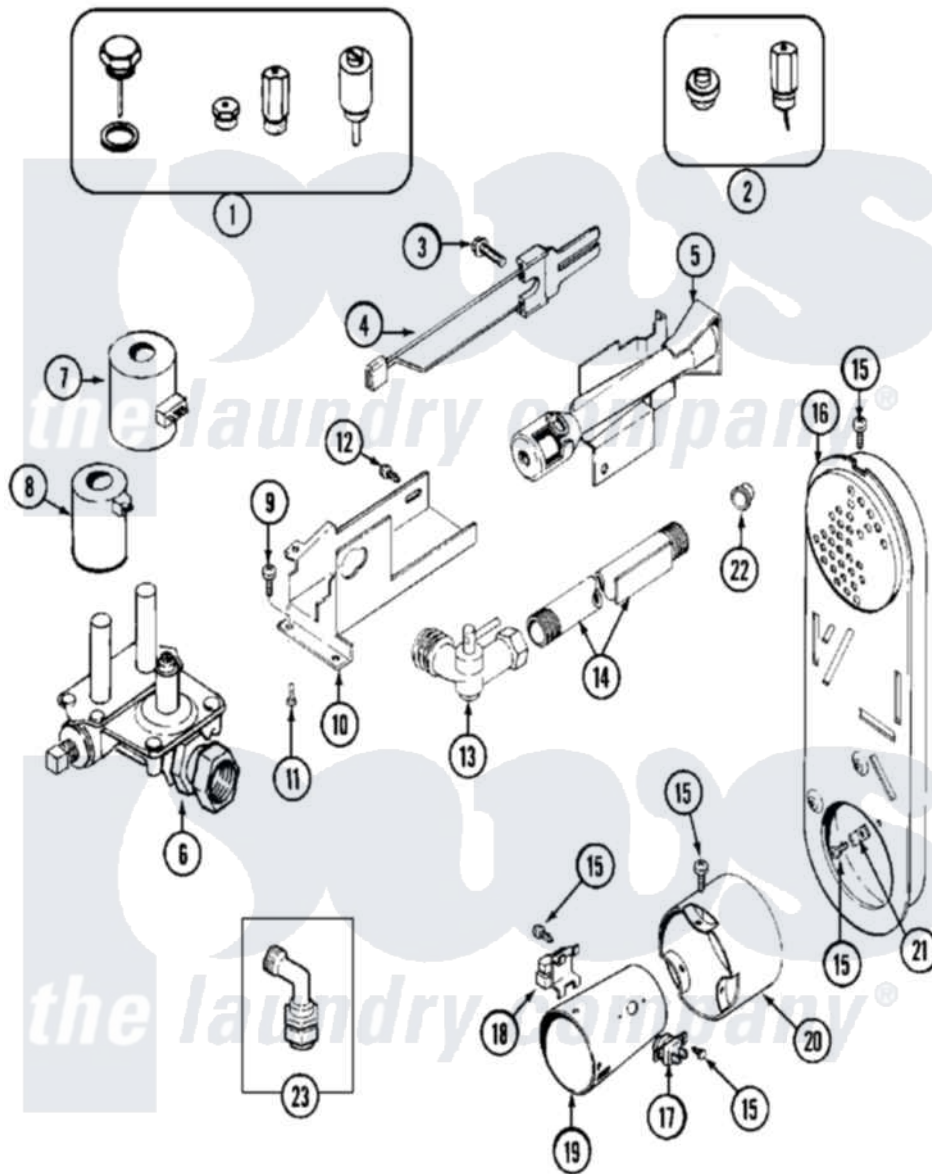


Maytag MLG19PDAWW 12 - GAS VALVE (DRYER)



Maytag Residential Maytag MLG19PDAWW Dryer Parts Parts Diagram 12 - GAS VALVE (DRYER)
 Click on the part number to view part

| Item | Original Part Number | Replaced By | Status | Part Description |
|------|--------------------------|----------------------------|---------------|--------------------------------|
| 001 | Y306195 | MAL9000AXX | | LP Gas Con |
| " | Y308378 | W10402145 | | LP Gas Con |
| 002 | 306204 | 33002924 | | Gas Conv K |
| " | Y308377 | | Not Available | CONVERSION KIT (LP TO NATURAL) |
| 003 | 304971 | | | Screw Note: Screw, Igniter |
| 004 | 304970 | 4391996 | | Ignitor |
| " | 33002789 | | | Igniter Assembly |
| 005 | 33001247 | 33002793 | | Burner Assembly |
| " | 33002793 | | | Burner Assembly |
| 006 | 308345 | | | Valve, Gas |
| " | 33002056 | | Not Available | PLUG, HOLE (UPR) |
| 007 | 306106 | | | Coil, Holding And Booster--W |
| 008 | 306105 | 694540 | | Coil, 60 Hz |
| 009 | Y313561 | | | Screw---NA |
| 010 | NLA | | Not Available | BRACKET, GAS VALVE---NA |

| | | | |
|-----|--------------------------|------------------------|--|
| 011 | 314082 | 90767 | Screw, 8A X 3/8 Hex Washer Head Tapping |
| 012 | 22001995 | | Screw Note: Screw, Tumbler Front And Shroud |
| 013 | 306086 | | Angle Shut Off For Gas Valve |
| 014 | 33001735 | | Pipe And Bracket Assembly Series 18 Not Needed Use Vavle |
| 015 | 211294 | 90767 | Screw, 8A X 3/8 Hex Washer Head Tapping |
| 016 | 33001810 | Not Available | DUCT ASSY., INLET (GAS) NOTE: INLET DUCT ASSEMBLY |
| 017 | 305169 | | Thermostat, Hi-Limit Gas |
| 018 | Y303377 | 338906 | Radiant, Sensor |
| 019 | 33001835 | | Cone Assembly, Combustion |
| 020 | Y303841 | | Cone, Extension |
| 021 | Y312890 | | Retainer, Heater Chamber |
| 022 | 33001693 | | Cap, Gas Pipe |
| 023 | 33002236 | | Angle Connector Assembly |

