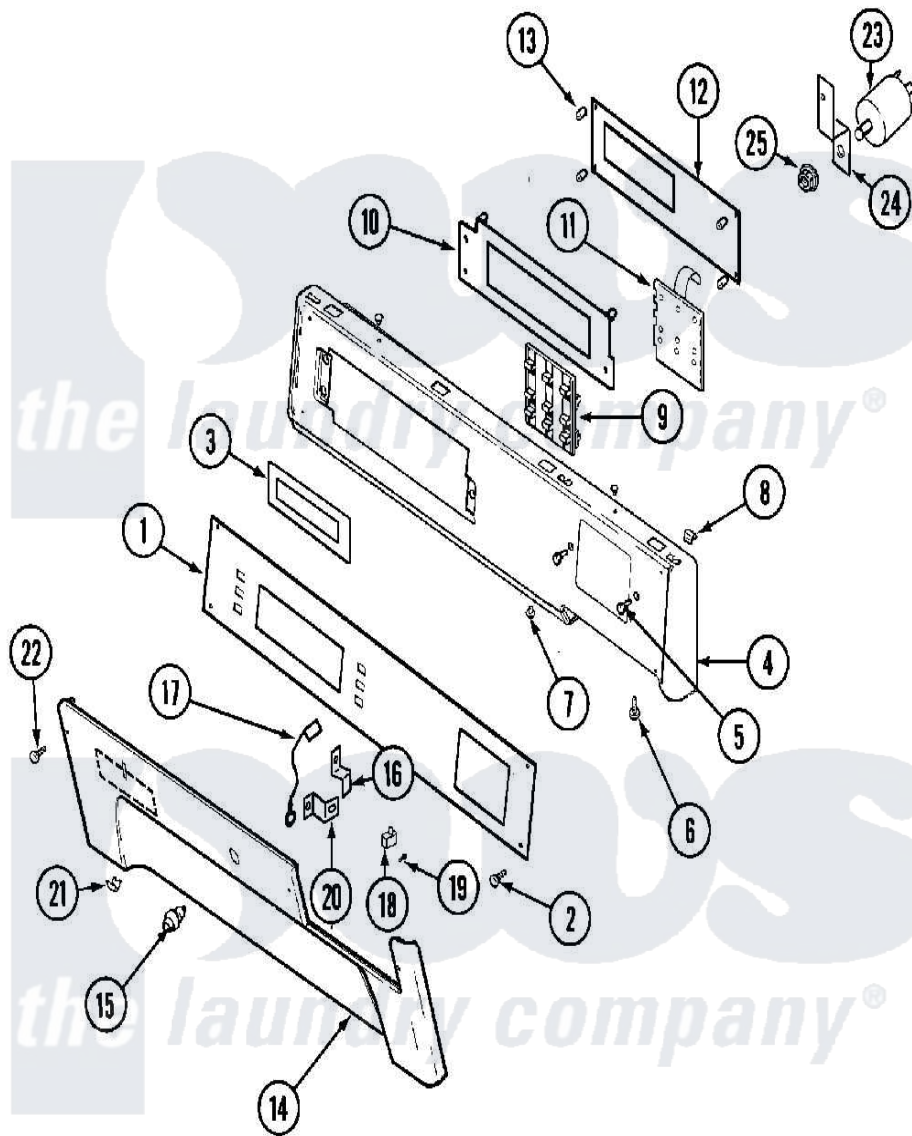


# Maytag MLG19PDBGW 01 - CONTROL PANEL (DRYER)



Maytag [Residential Maytag MLG19PDBGW Dryer Parts](#) Parts Diagram 01 - CONTROL PANEL (DRYER)  
 Click on the part number to view part

Item	Original Part Number	Replaced By	Status	Part Description
001	33002148	<a href="#">33002960</a>		Facia, Commerical W/D - PD
002	<a href="#">215506</a>			Screw, Control Panel Overlay
003	33002150	<a href="#">W10133268</a>		Cover, Display
004	<a href="#">33002003</a>			Fastener Clip, Control Panel
"	<a href="#">33002149</a>			Panel, Control
005	22002062	<a href="#">98006631</a>		Screw
"	910186	<a href="#">99002757</a>		Screw
006	<a href="#">215506</a>			Screw, Control Panel Overlay
007	33001132	<a href="#">33002342</a>		Plug, Sifht Hole
008	<a href="#">33001977</a>			Fastener, Control Panel
009	<a href="#">33002178</a>			Switch, Push Button
010	<a href="#">33002155</a>			Plate, Control Mounting
011	33002507	<a href="#">W10133278</a>		Membrane Switch Assembly
012	<a href="#">33002513</a>			Circuit Board Assembly
013	<a href="#">33001204</a>			Stand-Off, Control Board
"	<a href="#">912077</a>			Locknut, Reader Harness

014	<a href="#">33001978</a>		Panel, Access
015	22002349	<a href="#">W10116737</a>	Lock
016	213750	<a href="#">W10133266</a>	Cam-Lock
017	<a href="#">33001981</a>		Wire, Ground
018	<a href="#">22003063</a>		Shield, Programming Switch
"	<a href="#">22003064</a>		Switch, Sensor - Export
019	912012	<a href="#">3400409</a>	Screw
020	<a href="#">33001982</a>		Bracket, Switch Mounting
021	<a href="#">33001980</a>		Fastener, Access Panel
"	<a href="#">33002004</a>		Clip, Fastener
022	<a href="#">215506</a>		Screw, Control Panel Overlay
023	<a href="#">22002782</a>		Pad, Foam
"	<a href="#">22003047</a>		Filter, Power Line
"	<a href="#">22003050</a>		Wire, Ground
"	22003817	<a href="#">3370225</a>	Screw
"	<a href="#">22003858</a>		EMI Suppression Filter, 16a
024	22003048	<a href="#">22003602</a>	Bracket- P
025	22003049	<a href="#">22003725</a>	Nut, 8mm
026	<a href="#">22001995</a>		Screw Note: Screw, Tumbler Front And Shroud
"	<a href="#">33002060</a>		Bracket, Security
"	NLA	Not Available	NUT, SECURITY

