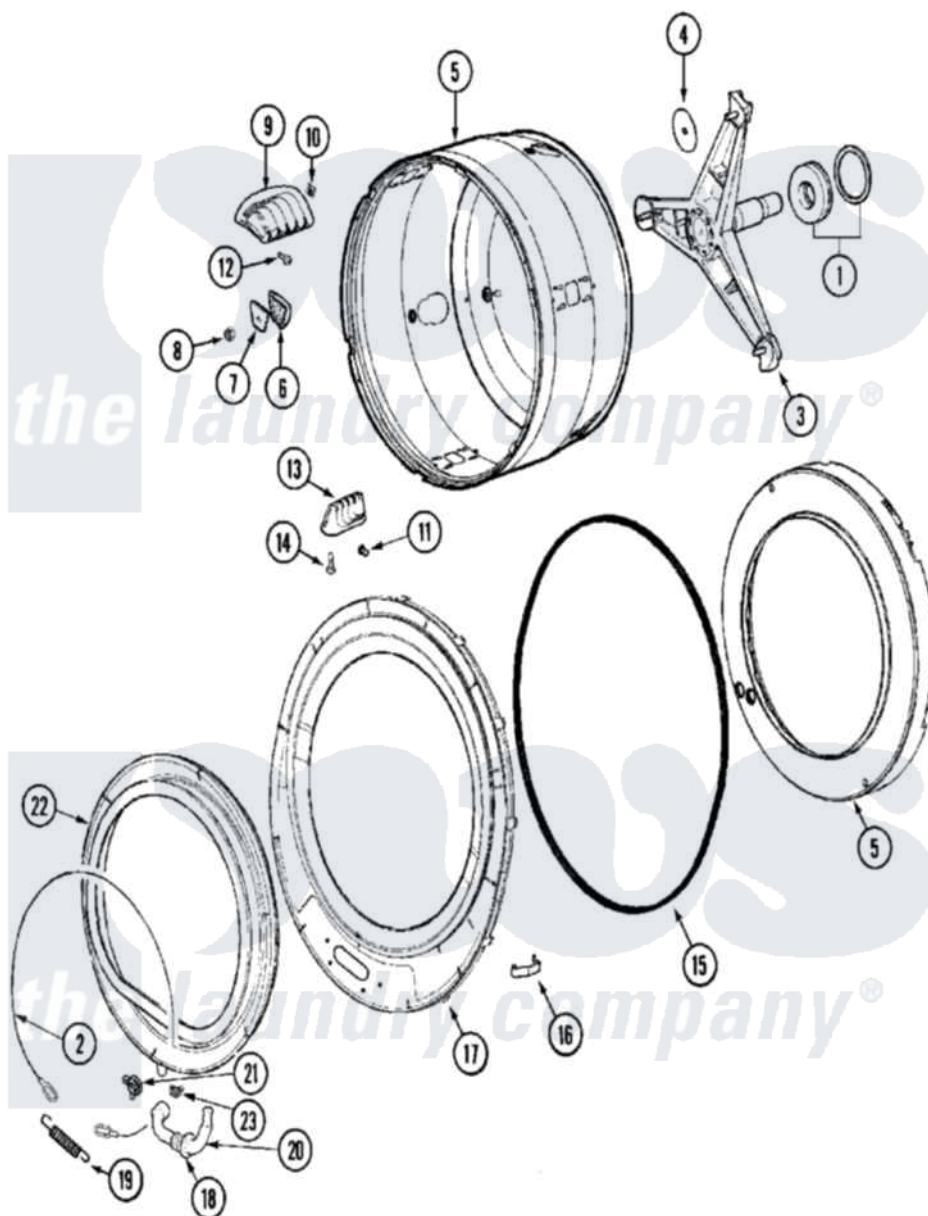


Maytag MLG19PDDGW 13 - SPINNER ASSEMBLY & OUTER TUB COVER(WASH)



Maytag Residential Maytag MLG19PDDGW Dryer Parts Parts Diagram 13 - SPINNER ASSEMBLY & OUTER TUB COVER(WASH)

[Click on the part number to view part](#)

Item	Original Part Number	Replaced By	Status	Part Description
001	12002022			Lip Seal Kit
002	22002327			Wire, Boot Clamp
003	22003670	6-2717080		Spinner As
004	22002023			Washer, Plastic
005	22003637			BRACE ASSEMBLY, TOP CROSS CONTAINS ITEMS 12 & 13
006	22002482			Washer, Profile
007	22002020			Washer, Spinner Support
008	22002122	2207454		Nut, Hex
009	22001985			Baffle, Drip
010	22002009			Grommet, Baffle
011	22001999			Grommet, Baffle
012	22003556			Screw, Baffle
013	22001986			Baffle, Drip

014	22002059		Screw, Baffle
015	22002077		Seal, Tub Cover
016	22002050		Clip, Tub To Cover
017	22004254		Cover, Tub W/Sealandcaps Aspk
018	22003074		Guard, Hose
019	22002099		Spring, Tub
020	22003071	22004477	Drain Hose, Door Boot
021	Y22003072		CLAMP, HOSE DOUBLE WIRE
022	22003893		Door Boot, Black
023	22003073	596669	Clamp, Manifold

