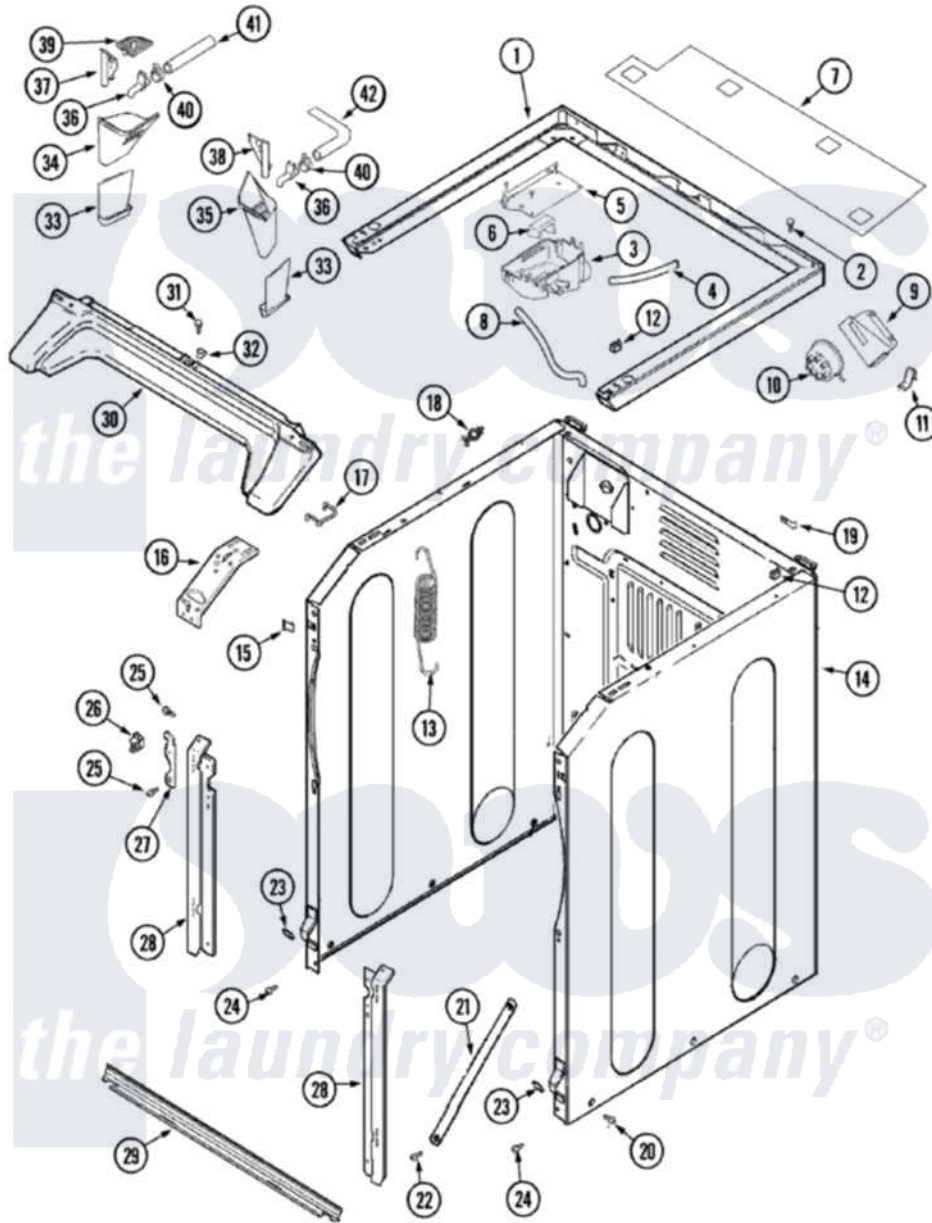


# Maytag MLG2000AXW 03 - CABINET-FRONT (WASHER)



Maytag [Residential Maytag MLG2000AXW Stacked Washer and Dryer Parts](#) Parts Diagram 03 - CABINET-FRONT (WASHER)

[Click on the part number to view part](#)

| Item | Original Part Number     | Replaced By              | Status | Part Description                 |
|------|--------------------------|--------------------------|--------|----------------------------------|
| 1    | 33002187                 | <a href="#">33002963</a> |        | Support, Weld Assembly           |
| 2    | 22001883                 | <a href="#">214354</a>   |        | Screw, Top Cover To Cabnt.       |
| 3    | 22002439                 | <a href="#">33002775</a> |        | Vent, Tub                        |
| "    | 33001855                 | <a href="#">33002917</a> |        | Screw, No.10-16                  |
| 4    | <a href="#">22002464</a> |                          |        | Hose, Vent                       |
| 5    | <a href="#">33002189</a> |                          |        | Bracket, Vent Mounting           |
| "    | <a href="#">33002190</a> |                          |        | SCrew, C BraCe, BraCket, Cabinet |
| 6    | <a href="#">22002440</a> |                          |        | Deflector, Vent                  |
| 7    | <a href="#">33002191</a> |                          |        | Wire Shield                      |
| "    | <a href="#">33002192</a> |                          |        | Clip, Shield                     |
| 8    | 205161                   | <a href="#">489503</a>   |        | Clamp                            |
| "    | <a href="#">33002193</a> |                          |        | Hose, Shower                     |
| 9    | <a href="#">Y310376</a>  |                          |        | Clip, Door Switch Harness        |
| "    | <a href="#">33002188</a> |                          |        | Support, Pressure Switch         |
| 10   | 22002048                 | <a href="#">22002921</a> |        | Switch- Pr                       |

|    |                          |                          |   |
|----|--------------------------|--------------------------|---|
| "  | <a href="#">22002994</a> |                          | Switch, Pressure                            |
| 11 | <a href="#">22002244</a> |                          | Clip, Grounding                             |
| "  | <a href="#">22002006</a> |                          | Clip, Unbalance Switch Harness              |
| 12 | <a href="#">33002194</a> |                          | Nut, Speed                                  |
| 13 | <a href="#">22002100</a> |                          | Spring                                      |
| "  | <a href="#">22003254</a> |                          | Spring, Cabinet To Tub                      |
| 14 | 22003582                 | Not Available            | CABINET, ASSY. (WHT-AS PK)                  |
| "  | 22002548                 | <a href="#">22003639</a> | Cabinet Assembly                            |
| 15 | <a href="#">22002049</a> |                          | Clip Note: Clip, Front Panel                |
| 16 | 22003638                 | <a href="#">22003652</a> | Shroud Support Assembly                     |
| "  | <a href="#">33002473</a> |                          | Bracket, Corner                             |
| "  | 33002095                 | <a href="#">33002474</a> | Bracket, Corner                             |
| "  | <a href="#">22003908</a> |                          | Vapor Barrier                               |
| "  | <a href="#">33002474</a> |                          | Bracket, Corner                             |
| "  | 33002010                 | <a href="#">33002473</a> | Bracket, Corner                             |
| 17 | <a href="#">22002297</a> |                          | Support, Spring                             |
| 18 | 315471                   | <a href="#">22003298</a> | Retainer, Wire                              |
| 19 | <a href="#">22002178</a> |                          | Bracket, Air Dome Hose                      |
| 20 | <a href="#">213007</a>   |                          | Xfor Cabinet See Cabinet, Back              |
| "  | 22003409                 | <a href="#">213007</a>   | Xfor Cabinet See Cabinet, Back              |
| 21 | 22002259                 | <a href="#">22002767</a> | Brace, Cross                                |
| 22 | <a href="#">33002190</a> |                          | SCrew, C BraCe, BraCket, Cabinet            |
| 23 | <a href="#">22002013</a> |                          | Stop, Shipping                              |
| 24 | <a href="#">33002190</a> |                          | SCrew, C BraCe, BraCket, Cabinet            |
| 25 | <a href="#">22001995</a> |                          | Screw Note: Screw, Tumbler Front And Shroud |
| 26 | <a href="#">22002001</a> |                          | Support, Hinge                              |
| 27 | <a href="#">33002037</a> |                          | Fastener, Access Cover Hook                 |
| 28 | 22002034                 | <a href="#">22003224</a> | Bracket, Shroud                             |
| "  | 22002035                 | <a href="#">22002985</a> | Bracket, Shroud                             |
| 29 | <a href="#">22001993</a> |                          | Bridge, Shroud Support                      |
| "  | 22003638                 | <a href="#">22003652</a> | Shroud Support Assembly                     |
| 30 | <a href="#">33002011</a> |                          | Cover, Access                               |
| 31 | <a href="#">22001995</a> |                          | Screw Note: Screw, Tumbler Front And Shroud |
| 32 | <a href="#">33002013</a> |                          | Fastener Clip, Access Cover                 |
| 33 | <a href="#">33002196</a> |                          | Grate, Overflow                             |
| "  | <a href="#">33002195</a> |                          | Grate, Overflow                             |
| 34 | <a href="#">33002197</a> |                          | Cup, Bleach Dispenser                       |
| 35 | <a href="#">33002198</a> |                          | Cup, Fabric Softener Dispenser              |
| 36 | <a href="#">33002199</a> |                          | Spout, Dispenser Fill                       |
| 37 | <a href="#">33002200</a> |                          | Cap, Bleach Dispenser                       |
| 38 | <a href="#">33002201</a> |                          | Cap, Fabric Softener                        |
| 39 | <a href="#">33002204</a> |                          | Screen, Bleach Cup                          |
| 40 | 205161                   | <a href="#">489503</a>   | Clamp                                       |
| 41 | <a href="#">22003653</a> |                          | Retainer, Dispenser Hose                    |
| "  | <a href="#">33002207</a> |                          | Hose, Bleach                                |
| 42 | <a href="#">33002208</a> |                          | Hose, Fabric Softener                       |
| 43 | <a href="#">22002006</a> |                          | Clip, Unbalance Switch Harness              |

|    |                          |                          |                               |
|----|--------------------------|--------------------------|-------------------------------|
| "  | <a href="#">22002694</a> |                          | Wire Harness, Main            |
| "  | <a href="#">22003820</a> |                          | Wire Harness / Hh / Unbalance |
| 44 | <a href="#">22002523</a> |                          | Connector                     |
| "  | <a href="#">22002526</a> |                          | Pin                           |
| "  | <a href="#">22002525</a> |                          | Pin                           |
| 45 | 22003837                 | <a href="#">22002506</a> | Shroud And Dispenser Hose     |

