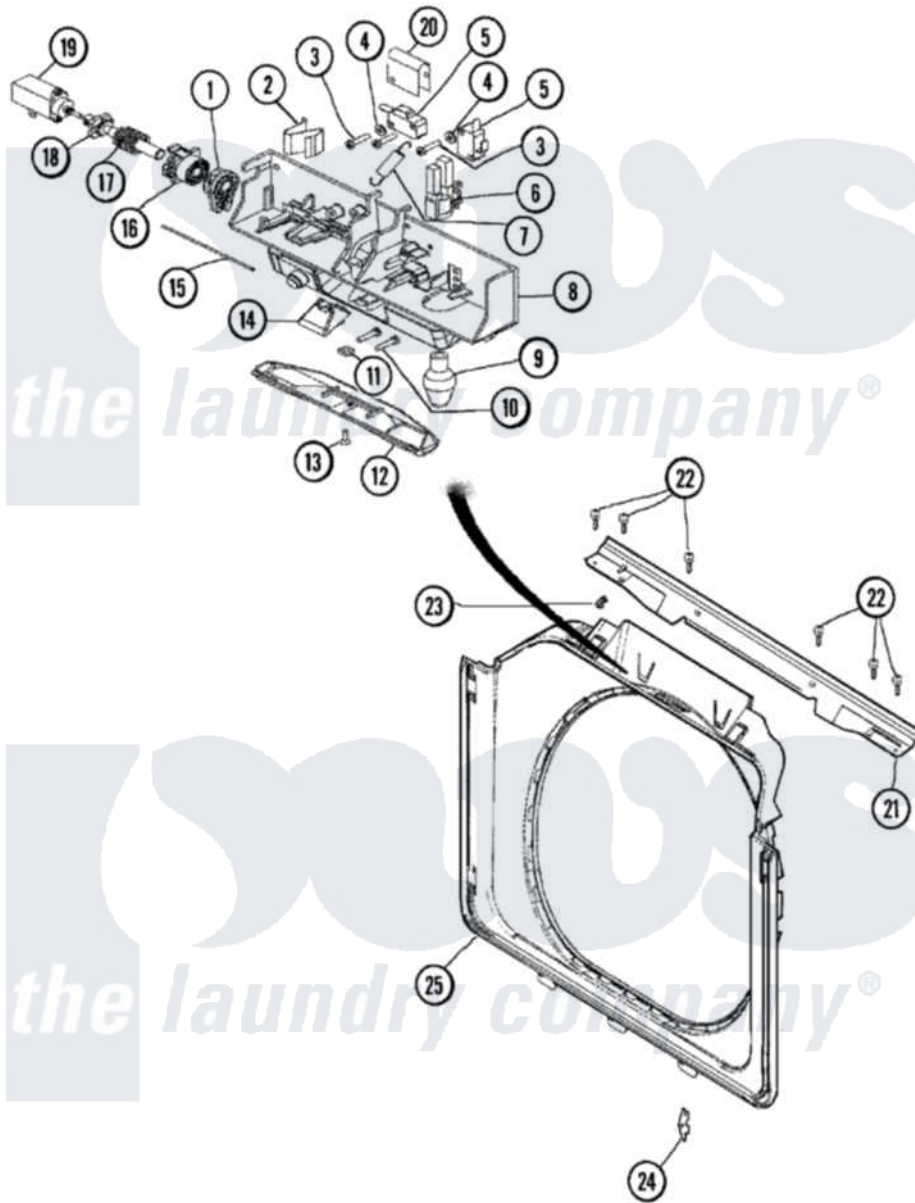


Maytag MLG2000AXW 09 - DOOR SHROUD & DOOR LATCH ASSEMBLY (WASH)



Maytag [Residential Maytag MLG2000AXW Stacked Washer and Dryer Parts](#) Parts Diagram 09 - DOOR SHROUD & DOOR LATCH ASSEMBLY (WASH)
 Click on the part number to view part

Item	Original Part Number	Replaced By	Status	Part Description
1	22003716			Rotating Gear, Latch
2	22003717			Spring, Latch
3	22001352			Screw, Check Switch
4	22002165			Washer, Door Lock Switch
5	22002162			Switch, Door Lock Spin Enable
6	22002433			Bulb Holder Assembly
7	22002158			Spring, Gear Return
8	22003067			Switch Holder Assembly
9	22002263			Lamp
10	22003719			Screw, Latch
11	22003720			Nut, Latch
12	22002434			Cover, Bulb
13	22002435	241877		Screw
14	22003055			Ramp, Door Hoop
15	22002164			Cable, Door

16	22003715		Sliding Gear, Latch
17	22003721		Spring, Axle / Latch
18	22003718		Axle, Latch
19	22002119		Motor, Wax
20	22004256		Shield
21	33002202	33002477	Support, Door Lock
"	22003908		Vapor Barrier
22	22001995		Screw Note: Screw, Tumbler Front And Shroud
23	22002014		Clip, Harness To Support
24	33001764		Cover, Hinge Hole
"	33001787		Screw, Hinge Note: Screw, Hinge Hole Cover
"	22002095	12001994	Cover
25	22002506		Shroud And Dispenser Hose

