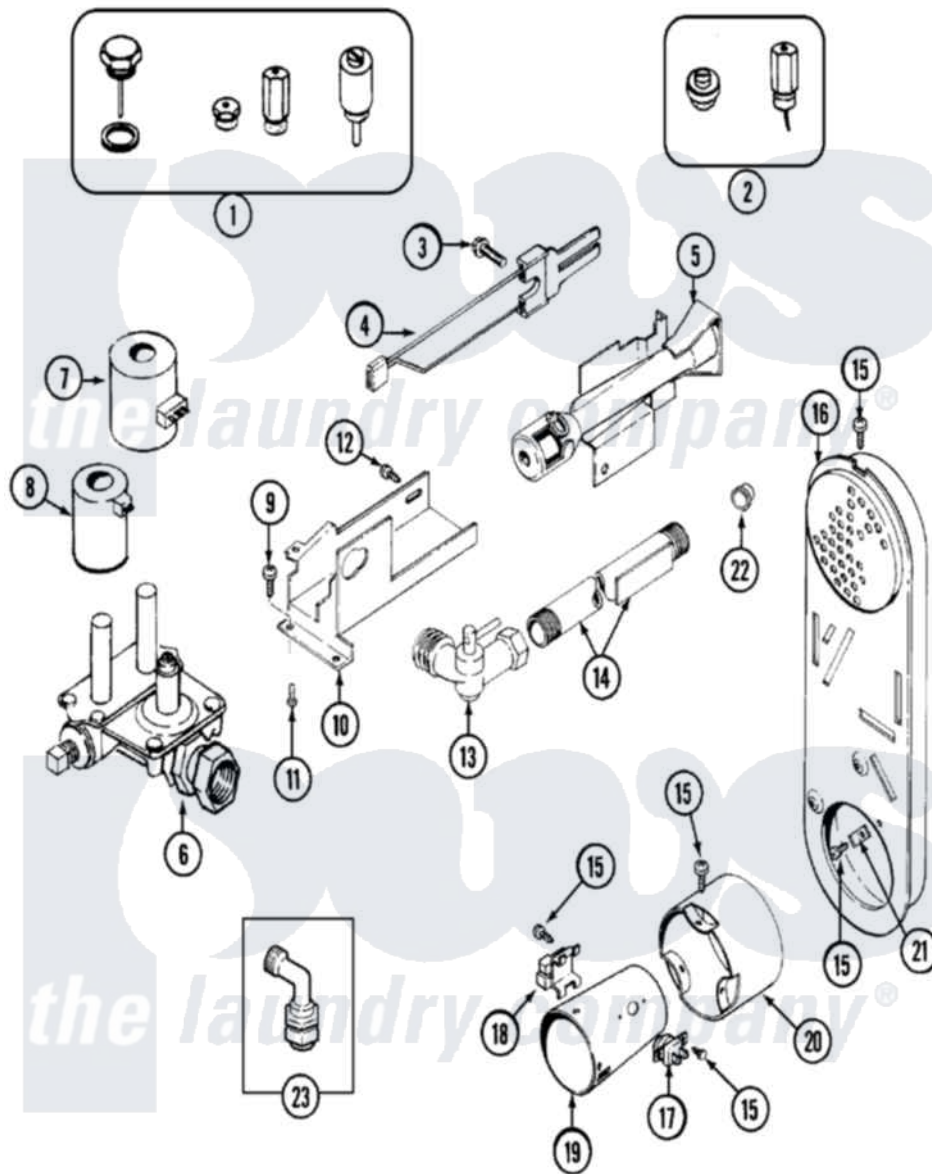


# Maytag MLG2000AXW 10 - GAS VALVE (DRYER)



Maytag [Residential Maytag MLG2000AXW Stacked Washer and Dryer Parts](#) Parts Diagram 10 - GAS VALVE (DRYER)  
 Click on the part number to view part

Item	Original Part Number	Replaced By	Status	Part Description
1	Y306195	<a href="#">MAL9000AXX</a>		LP Gas Con
2	306204	<a href="#">33002924</a>		Gas Conv K
3	<a href="#">304971</a>			Screw Note: Screw, Igniter
4	<a href="#">33002789</a>			Igniter Assembly
"	304970	<a href="#">4391996</a>		Ignitor
5	33001247	<a href="#">33002793</a>		Burner Assembly
6	<a href="#">306176</a>			Valve, Gas
"	33002056		Not Available	PLUG, HOLE (UPR)
7	<a href="#">306106</a>			Coil, Holding And Booster-W
8	306105	<a href="#">694540</a>		Coil, 60 Hz
9	<a href="#">Y313561</a>			Screw---NA
10	<a href="#">33002055</a>			Bracket, Gas Valve---NA
11	314082	<a href="#">90767</a>		Screw, 8A X 3/8 HeX Washer Head Tapping
12	<a href="#">22001995</a>			Screw Note: Screw, Tumbler Front And Shroud
13	<a href="#">306086</a>			Angle Shut Off For Gas Valve

14	<a href="#">33002220</a>		Pipe And Bracket Assembly
15	211294	<a href="#">90767</a>	Screw, 8A X 3/8 HeX Washer Head Tapping
16	33001810	Not Available	DUCT ASSY., INLET (GAS) NOTE: INLET DUCT ASSEMBLY
"	<a href="#">33003039</a>		Assembly, Inlet Duct-Gas
17	<a href="#">303395</a>		Thermostat, Hi-Limit
18	Y303377	<a href="#">338906</a>	Radiant, Sensor
19	<a href="#">33001835</a>		Cone Assembly, Combustion
20	<a href="#">Y303841</a>		Cone, Extension
21	<a href="#">Y312890</a>		Retainer, Heater Chamber
22	<a href="#">33001693</a>		Cap, Gas Pipe
23	<a href="#">33002236</a>		Angle Connector Assembly

*the laundry company*<sup>®</sup>

*the laundry company*<sup>®</sup>

*the laundry company*<sup>®</sup>