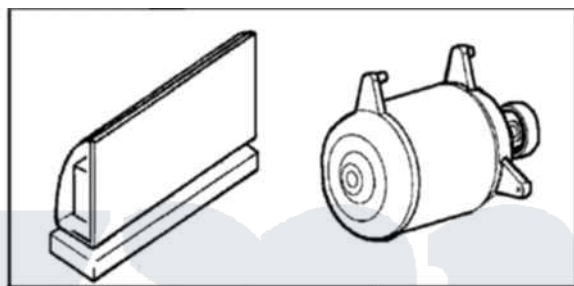
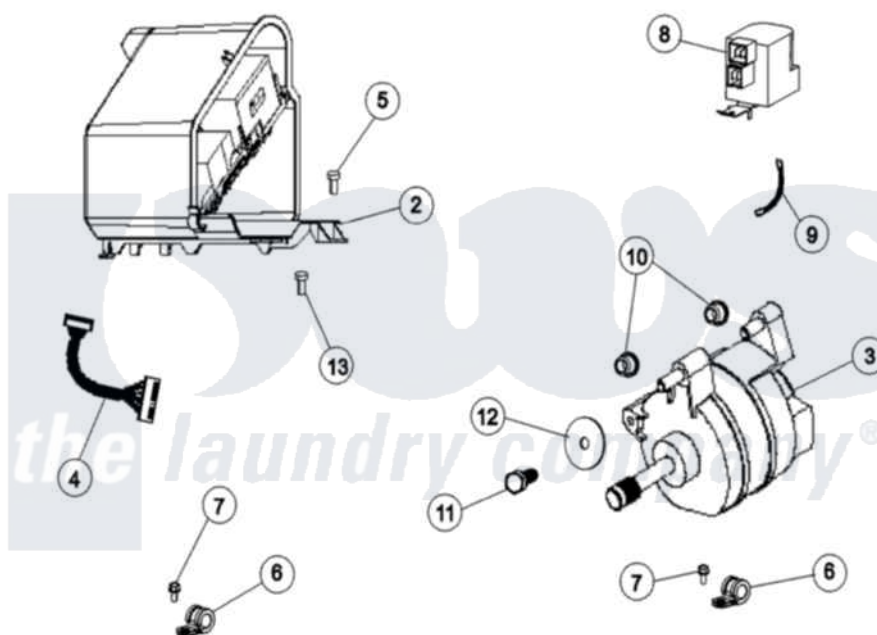


Maytag MLG2000AXW 11 - MOTOR & MOTOR CONTROL



1 USE FOR ITEM 2 PRIOR TO SERIES 62

ITEM 1 - KIT CONTAINS:



Maytag Residential Maytag MLG2000AXW Stacked Washer and Dryer Parts Parts Diagram 11 - MOTOR & MOTOR CONTROL

Click on the part number to view part

Item	Original Part Number	Replaced By	Status	Part Description
1	12002039			Neptune Motor Conversion Kit
2	22003249	12002039		Neptune Motor Conversion Kit
"	22004473			Motor Control Assembly
"	22004473			Motor Control Assembly
"	22004473			Motor Control Assembly
"	22001995			Screw Note: Screw, Tumbler Front And Shroud
"	22001995			Screw Note: Screw, Tumbler Front And Shroud
"	22004046			Control Assembly, Motor
"	22002470	12002039		Neptune Motor Conversion Kit
3	22003247	12001808		Kit- Motor
"	22003442	12002039		Neptune Motor Conversion Kit
"	22003856			Motor, Variable Speed
4	2205140	22004499		Harness, Wire
"	33001989			Retainer, Vault Switch

"	22004047	22004212	Motor Harness
"	2205083	22004431	Harness, Main Led
5	Y310632	1163839	Screw
6	33001989		Retainer, Vault Switch
"	22002014		Clip, Harness To Support
7	22002019		Screw, Wire Clip To Motor Cnt
8	22002058	22003599	Bolt- Moto
"	22003686		Bolt, Motor
9	22002320		Washer, Belt Tension Bolt
10	22002082	22003329	Isolator, Motor

