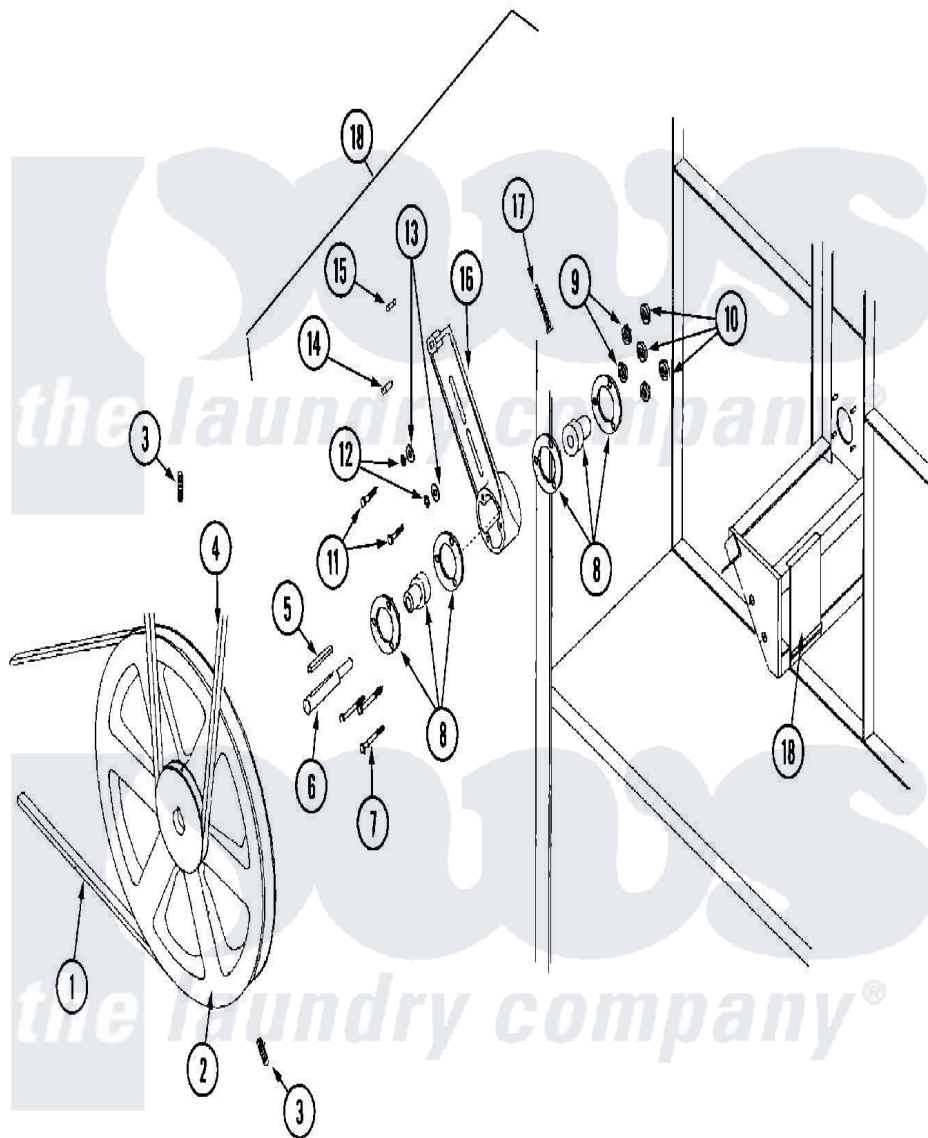


# Maytag MLG32PDBWA 11 - IDLER BEARING ASSEMBLY



Maytag Residential Maytag MLG32PDBWA Dryer Parts Parts Diagram 11 - IDLER BEARING ASSEMBLY  
 Click on the part number to view part

Item	Original Part Number	Replaced By	Status	Part Description
000	W10124350		Not Available	ORDER PARTS FROM AMERICAN DRYER CORP AT 508-678-9000
001	A100144	<a href="#">W10146577</a>		41420 V be
002	A101129	<a href="#">W10146631</a>		9 X 2-1 2
003	A154301	<a href="#">154301</a>		5 16-18 X
004	A100100	<a href="#">W10146547</a>		5I-660 V-B
005	A100705	<a href="#">100705</a>		3 16 X 3
006	A301850			SHAFT, IDLER (5/8" X 3/4")
007	A150529	<a href="#">150529</a>		1 4-20 X 2
008	A880214			5 8 FLANG
009	A153007	<a href="#">153007</a>		1 4 Split
010	A152002	<a href="#">152002</a>		1 4-20 Hex
011	A150617	<a href="#">150617</a>		3 8-16 X 1
012	A153005	<a href="#">153005</a>		3 8 Split
013	A153004	<a href="#">153004</a>		3 8 X 1
014	A152020	<a href="#">152020</a>		5 16-18 SQ

015	A152004	<a href="#">8182933</a>	Nut, Hex
016	A100406		BEARING, IDLER ASSEMBLY (INCLUDES 5 - 17)
017	A150509	<a href="#">150509</a>	5 16-18 X
018	A801010		(INCL. ITEMS 6 THRU 17)
"	NLA		Not Available MOUNT, IDLER BEARING

