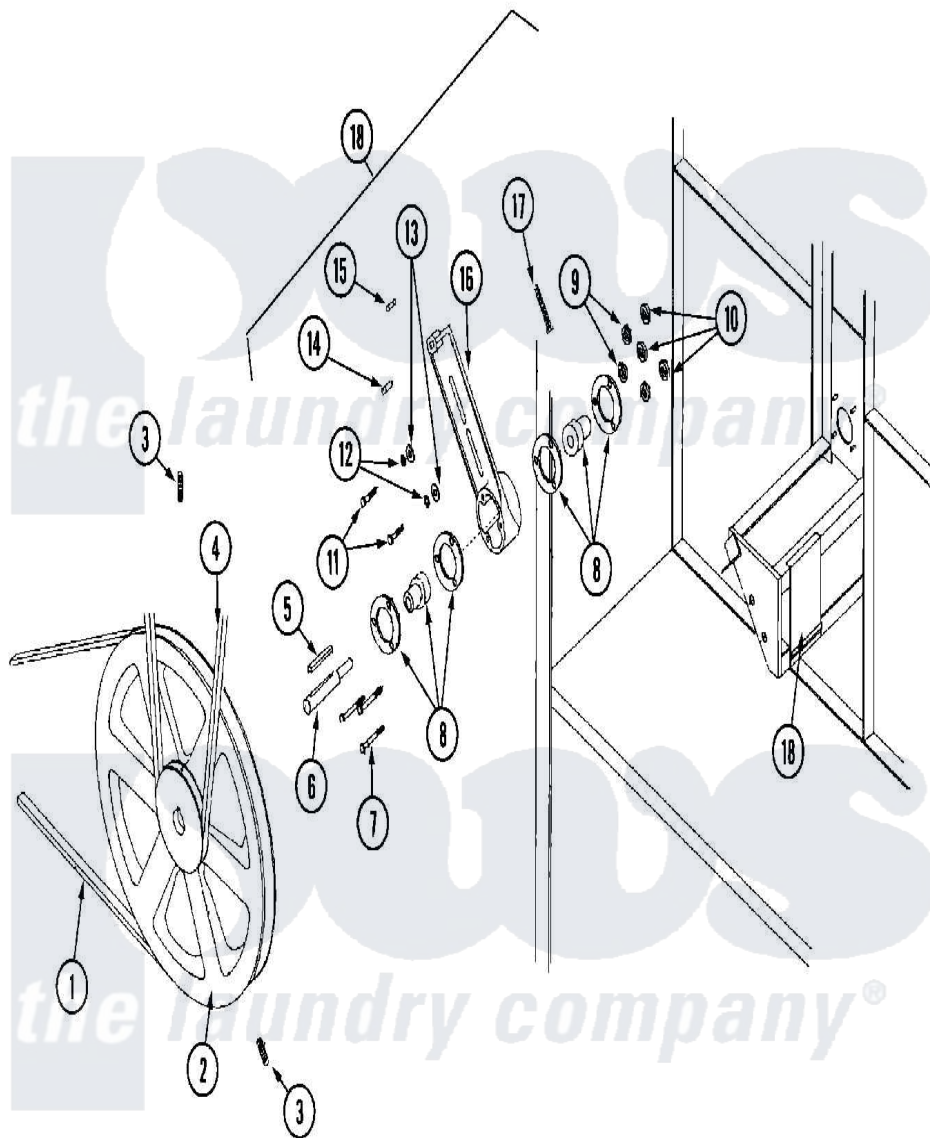


# Maytag MLG32PDBWS 22 - IDLER BEARING ASSEMBLY



Maytag Residential Maytag MLG32PDBWS Dryer Parts Parts Diagram 22 - IDLER BEARING ASSEMBLY  
 Click on the part number to view part

Item	Original Part Number	Replaced By	Status	Part Description
001	A100144	<a href="#">W10146577</a>		41420 V be
"	W10124350		Not Available	NOT REQUIRED PART OR SEE NOTE
002	A101129	<a href="#">W10146631</a>		9 X 2-1 2
003	A154301	<a href="#">154301</a>		5 16-18 X
004	A100100	<a href="#">W10146547</a>		5I-660 V-B
005	A100705	<a href="#">100705</a>		3 16 X 3
006	A301850			SHAFT, IDLER (5/8" X 3/4")
007	A150529	<a href="#">150529</a>		1 4-20 X 2
008	A100214		Not Available	BEARING, FLANGE (5/8")
009	A153007	<a href="#">153007</a>		1 4 Split
010	A152002	<a href="#">152002</a>		1 4-20 Hex
011	A150617	<a href="#">150617</a>		3 8-16 X 1
012	A153005	<a href="#">153005</a>		3 8 Split
013	A153004	<a href="#">153004</a>		3 8 X 1
014	A152020	<a href="#">152020</a>		5 16-18 SQ
015	A152004	<a href="#">8182933</a>		Nut, Hex

016	A100406		BEARING, IDLER ASSEMBLY (INCLUDES 5 - 17)
"	NLA	Not Available	MOUNT, IDLER BEARING
017	A150509	<a href="#">150509</a>	5 16-18 X
018	NLA	Not Available	MOUNT, IDLER BEARING

