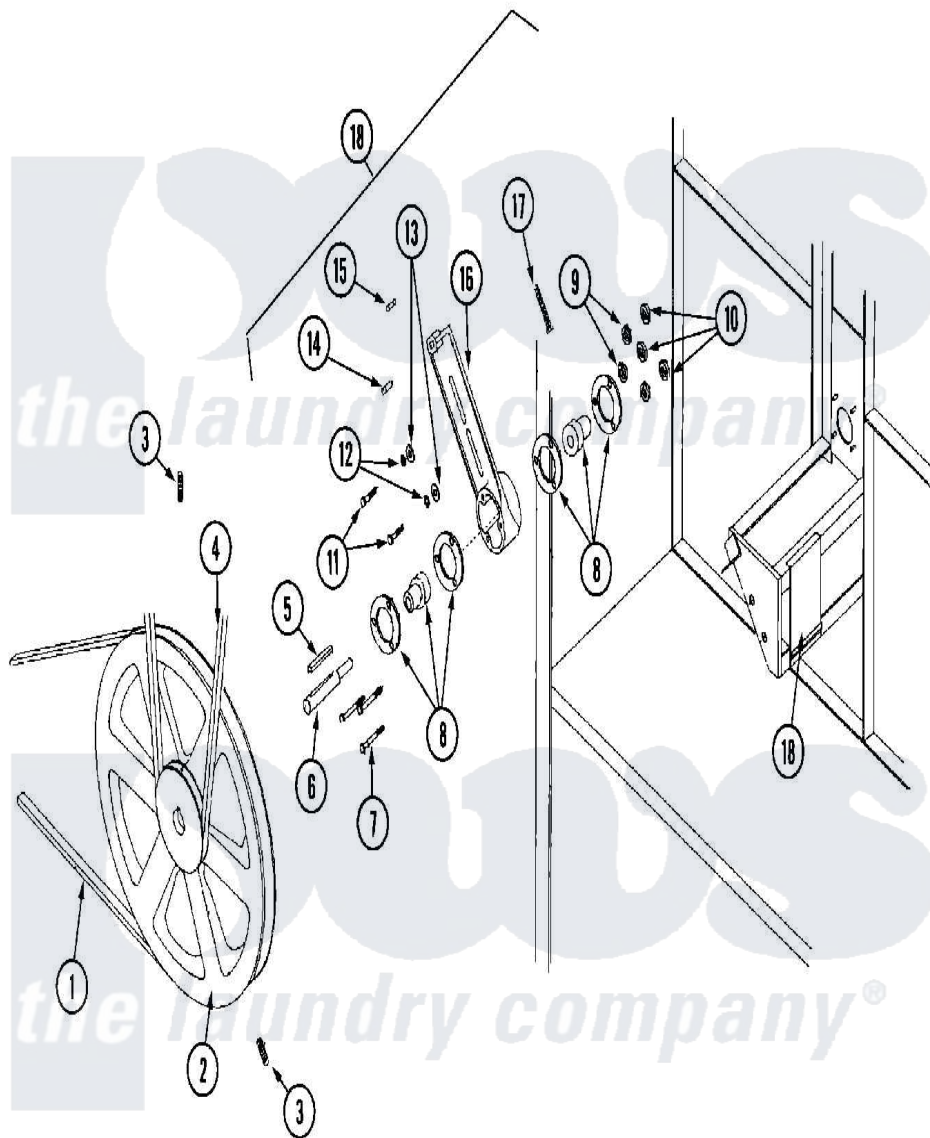


Maytag MLG32PDBWW 10 - IDLER BEARING ASSEMBLY



Maytag Residential Maytag MLG32PDBWW Dryer Parts Parts Diagram 10 - IDLER BEARING ASSEMBLY
 Click on the part number to view part

Item	Original Part Number	Replaced By	Status	Part Description
000	W10124350		Not Available	ORDER PARTS FROM AMERICAN DRYER CORP AT 508-678-9000
001	A100144	W10146577		41420 V be
002	A101129	W10146631		9 X 2-1 2
003	A154301	154301		5 16-18 X
004	A100100	W10146547		5I-660 V-B
005	A100705	100705		3 16 X 3
006	A301850			SHAFT, IDLER (5/8" X 3/4")
007	A150529	150529		1 4-20 X 2
008	A880214			5 8 FLANG
009	A153007	153007		1 4 Split
010	A152002	152002		1 4-20 Hex
011	A150617	150617		3 8-16 X 1
012	A153005	153005		3 8 Split
013	A153004	153004		3 8 X 1
014	A152020	152020		5 16-18 SQ

015	A152004	8182933	Nut, Hex
016	A100406		BEARING, IDLER ASSEMBLY (INCLUDES 5 - 17)
017	A150509	150509	5 16-18 X
018	A801010		(INCL. ITEMS 6 THRU 17)
"	NLA		Not Available MOUNT, IDLER BEARING

