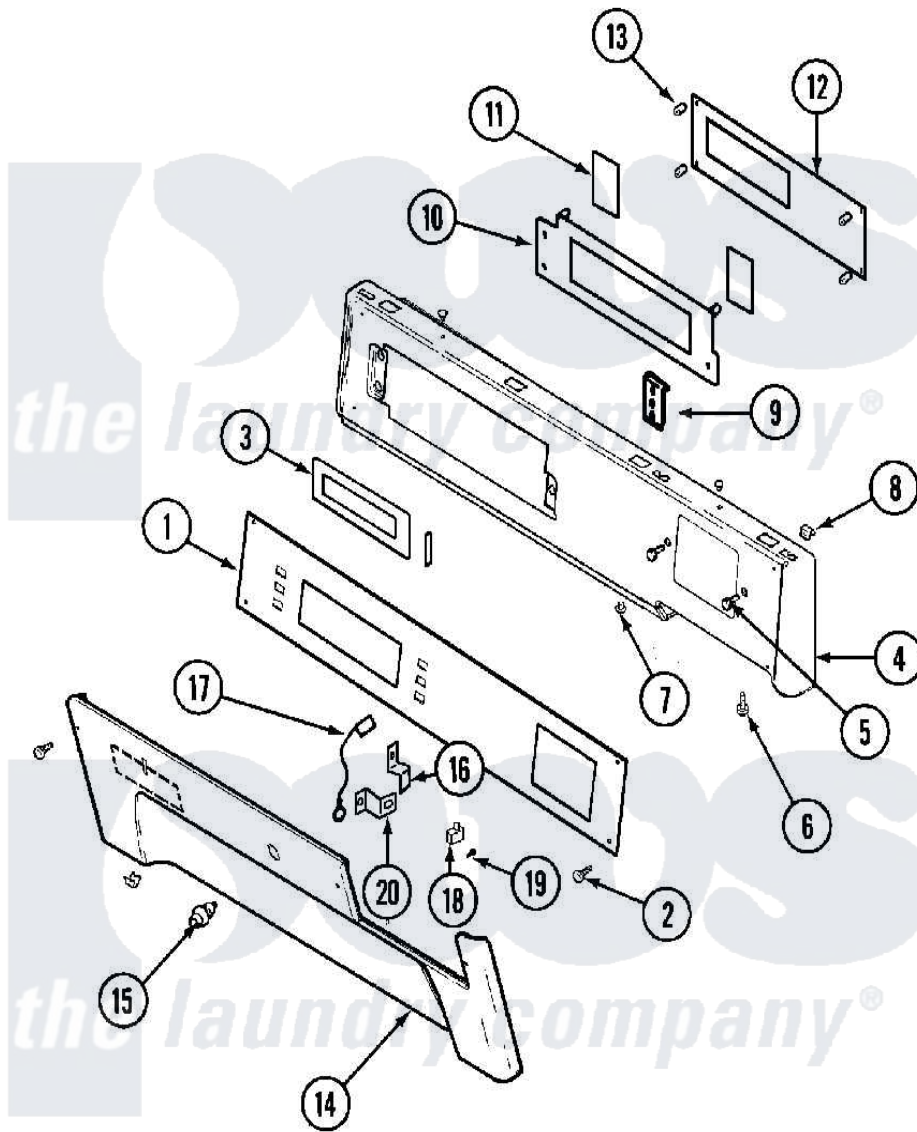


Maytag MUE15PDAYW 01 - CONTROL PANEL



Maytag [Residential Maytag MUE15PDAYW Dryer Parts](#) Parts Diagram 01 - CONTROL PANEL
 Click on the part number to view part

| Item | Original Part Number | Replaced By | Status | Part Description |
|------|--------------------------|--------------------------|---------------|------------------------------|
| 001 | 33001974 | | Not Available | OVERLAY, CONTROL PANEL |
| 002 | 215506 | | | Screw, Control Panel Overlay |
| 003 | 33001209 | | | Cover, Display |
| 004 | 33001975 | 22002457 | | Panel- Con |
| " | 33001976 | 33002377 | | Panel, Control |
| " | 33002003 | | | Fastener Clip, Control Panel |
| 005 | 22002062 | 98006631 | | Screw |
| " | 910186 | 99002757 | | Screw |
| 006 | 215506 | | | Screw, Control Panel Overlay |
| 007 | 33001132 | 33002342 | | Plug, Sifht Hole |
| " | 33001168 | | Not Available | PLUG, SIGHT HOLE (ALM) |
| 008 | 33001977 | | | Fastener, Control Panel |
| 009 | 33001156 | | | Button, Control |
| 010 | 33001201 | | | Plate, Control Mounting |
| 011 | 33001200 | 33002449 | | Switch, Membrane |
| 012 | 33001747 | 33002605 | | Circuit Board Assembly |

| | | | |
|-----|--------------------------|---------------------------|---|
| 013 | 33001204 | | Stand-Off, Ccontrol Board |
| " | 912077 | | Locknut, Reader Harness |
| 014 | 215506 | | Screw, Control Panel Overlay |
| " | 33001978 | | Panel, Access |
| " | 33001979 | 33001978 | Panel, Access |
| " | 33001980 | | Fastener, Access Panel |
| " | 33002004 | | Clip, Fastener |
| 015 | Y206081 | W10116737 | Lock |
| 016 | 213750 | W10133266 | Cam-Lock |
| 017 | 33001981 | | Wire, Ground |
| 018 | 33002117 | 208042 | Switch, Sensor |
| 019 | 912012 | 3400409 | Screw |
| 020 | 33001982 | | Bracket, Switch Mounting |
| 021 | 33001994 | | Wire Harness, Main |
| 022 | 33002060 | | Bracket, Security |
| 023 | 22001995 | | Screw Note: Screw, Tumbler Front And Shroud |
| " | NLA | Not Available | NUT, SECURITY |

