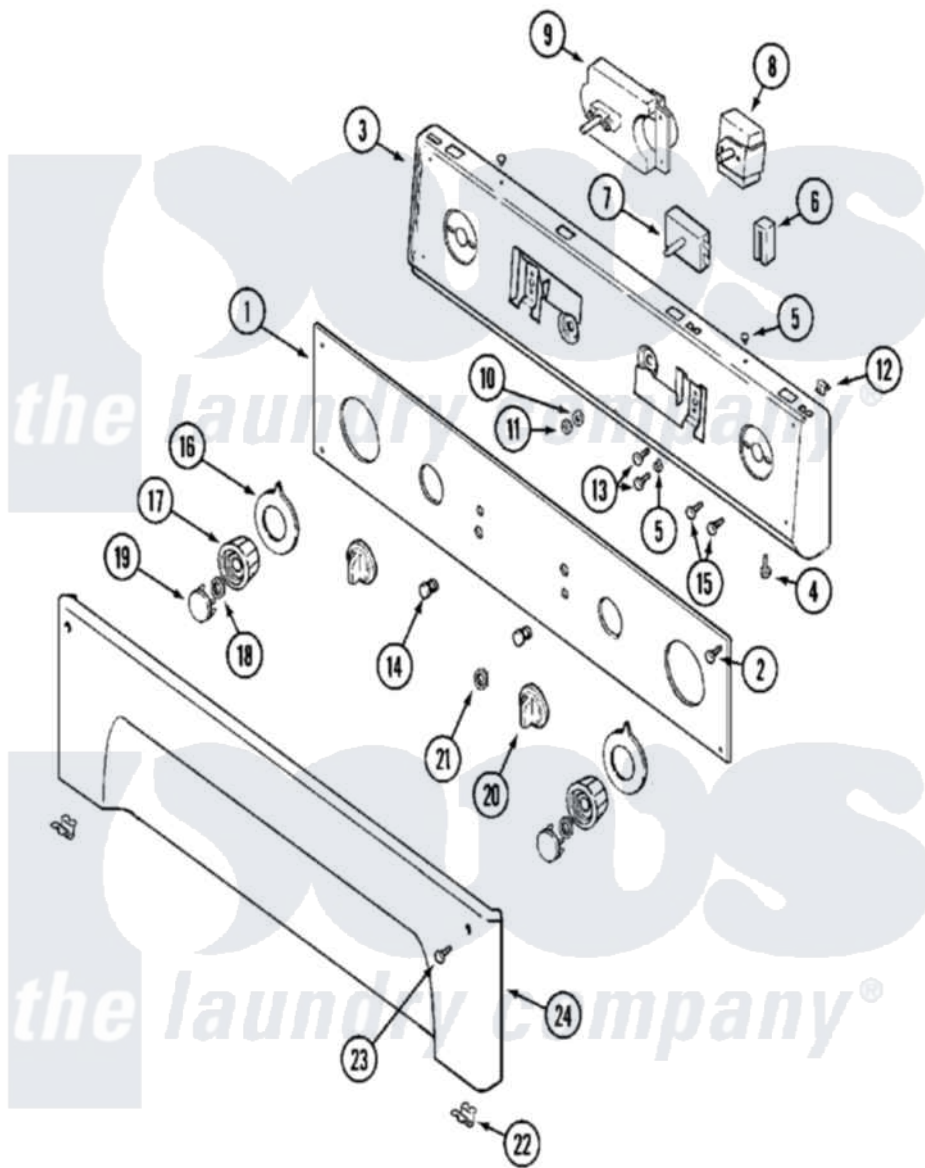


# Maytag MUG15MNAWW 01 - CONTROL PANEL



Maytag Residential Maytag MUG15MNAWW Dryer Parts Parts Diagram 01 - CONTROL PANEL  
 Click on the part number to view part

Item	Original Part Number	Replaced By	Status	Part Description
001	<a href="#">33002070</a>			Overlay, Control Panel
002	<a href="#">215506</a>			Screw, Control Panel Overlay
003	<a href="#">33002003</a>			Fastener Clip, Control Panel
"	<a href="#">33002071</a>			Panel, Control
004	<a href="#">215506</a>			Screw, Control Panel Overlay
005	33001132	<a href="#">33002342</a>		Plug, Sifht Hole
006	204075		Not Available	PILOT LAMP (DG MODELS ONLY)
007	306940	<a href="#">W10149462</a>		Switch, Push-To-Start
008	<a href="#">307253</a>			Switch, Cycle Selector
009	<a href="#">Y307296</a>			Timer RPR
010	<a href="#">312751</a>			Lockwasher, Start Switch
011	Y312706	<a href="#">422617</a>		Nut
012	<a href="#">33001977</a>			Fastener, Control Panel
013	Y313588	<a href="#">488234</a>		Screw 8-32 X 1/4
014	<a href="#">215564</a>			Lens, Indicator Light
015	Y313588	<a href="#">488234</a>		Screw 8-32 X 1/4

016	<a href="#">33001500</a>		Dial, Timer Indicator
017	<a href="#">314724</a>		Knob For Timer
018	<a href="#">312273</a>		Nut, Control Knob
019	314723	<a href="#">W10133501</a>	Cap, Knob
020	<a href="#">205663</a>		Knob For Selector Switch
021	<a href="#">Y312702</a>		Knurled Nut, Start Switch
022	<a href="#">33001980</a>		Fastener, Access Panel
023	<a href="#">215506</a>		Screw, Control Panel Overlay
024	<a href="#">33002072</a>		Panel, Access
025	<a href="#">33002084</a>		Wire Harness, Main

