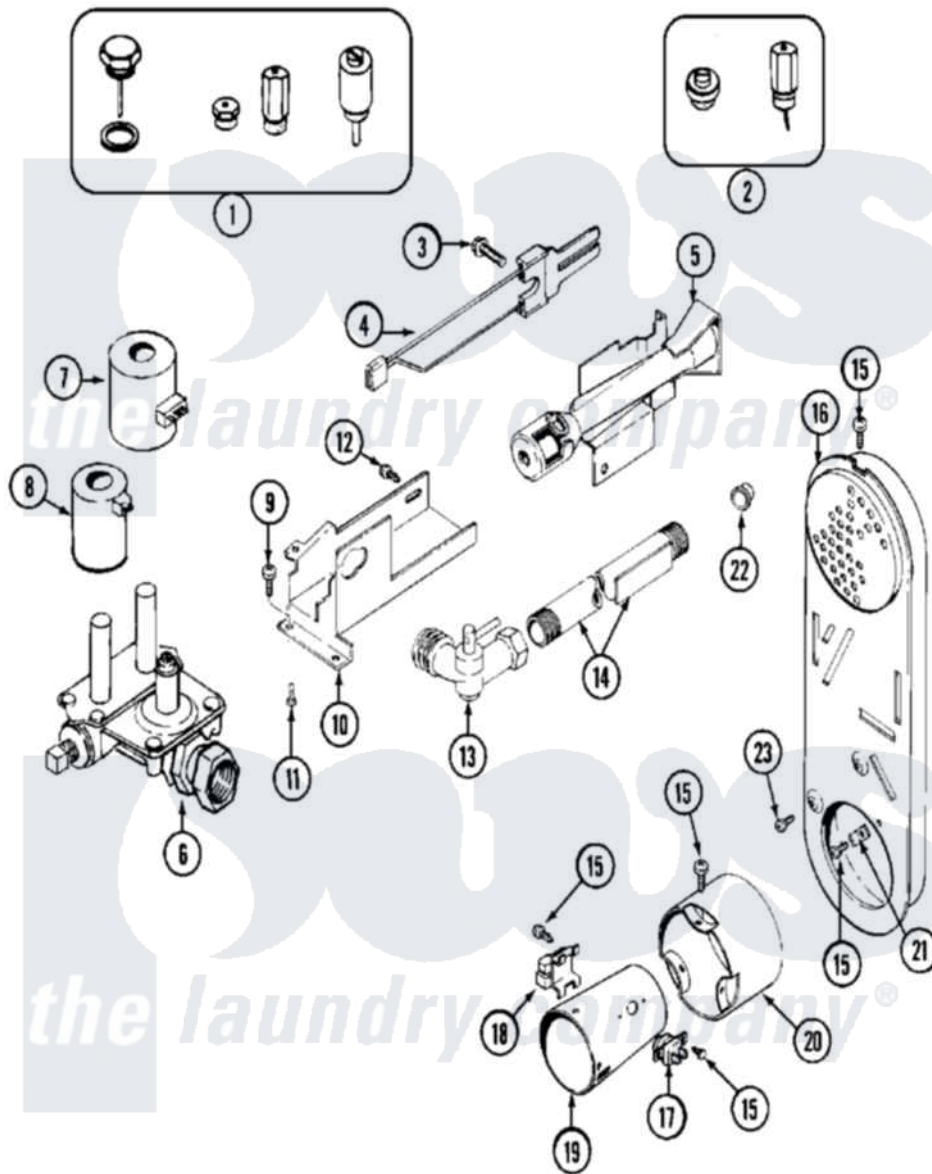


# Maytag MUG15PDAEW 07 - GAS VALVE



Maytag Residential Maytag MUG15PDAEW Dryer Parts Parts Diagram 07 - GAS VALVE  
 Click on the part number to view part

| Item | Original Part Number     | Replaced By               | Status        | Part Description                            |
|------|--------------------------|---------------------------|---------------|---|
| 001  | Y308378                  | <a href="#">W10402145</a> |               | LP Gas Con                                  |
| 002  | Y308377                  |                           | Not Available | CONVERSION KIT (LP TO NATURAL)              |
| 003  | <a href="#">304971</a>   |                           |               | Screw Note: Screw, Igniter                  |
| 004  | 304970                   | <a href="#">4391996</a>   |               | Ignitor                                     |
| 005  | 33001247                 | <a href="#">33002793</a>  |               | Burner Assembly                             |
| 006  | <a href="#">307927</a>   |                           |               | Valve, Gas                                  |
| "    | 33002056                 |                           | Not Available | PLUG, HOLE (UPR)                            |
| 007  | <a href="#">306106</a>   |                           |               | Coil, Holding And Booster--W                |
| 008  | 306105                   | <a href="#">694540</a>    |               | Coil, 60 Hz                                 |
| 009  | <a href="#">Y313561</a>  |                           |               | Screw---NA                                  |
| 010  | NLA                      |                           | Not Available | BRACKET, GAS VALVE---NA                     |
| 011  | 314082                   | <a href="#">90767</a>     |               | Screw, 8A X 3/8 HeX Washer Head Tapping     |
| "    | 314568                   | <a href="#">Y313559</a>   |               | Screw                                       |
| 012  | <a href="#">22001995</a> |                           |               | Screw Note: Screw, Tumbler Front And Shroud |

|     |                          |                         |  |
|-----|--------------------------|-------------------------|--|
| 013 | <a href="#">306086</a>   |                         | Angle Shut Off For Gas Valve                             |
| 014 | <a href="#">33001735</a> |                         | Pipe And Bracket Assembly Series 18 Not Needed Use Vavle |
| 015 | 211294                   | <a href="#">90767</a>   | Screw, 8A X 3/8 HeX Washer Head Tapping                  |
| 016 | 33001810                 | Not Available           | DUCT ASSY., INLET (GAS)<br>NOTE: INLET DUCT ASSEMBLY     |
| 017 | <a href="#">303395</a>   |                         | Thermostat, Hi-Limit                                     |
| 018 | Y303377                  | <a href="#">338906</a>  | Radiant, Sensor  |
| 019 | <a href="#">33001946</a> |                         | Cone Assembly, Combustion                                |
| 020 | NLA                      | Not Available           | CONE, EXTENSION (COMBUSTION)                             |
| 021 | <a href="#">Y312890</a>  |                         | Retainer, Heater Chamber                                 |
| 022 | <a href="#">33001693</a> |                         | Cap, Gas Pipe  |
| 023 | 22001996                 | <a href="#">3370225</a> | Screw  |

