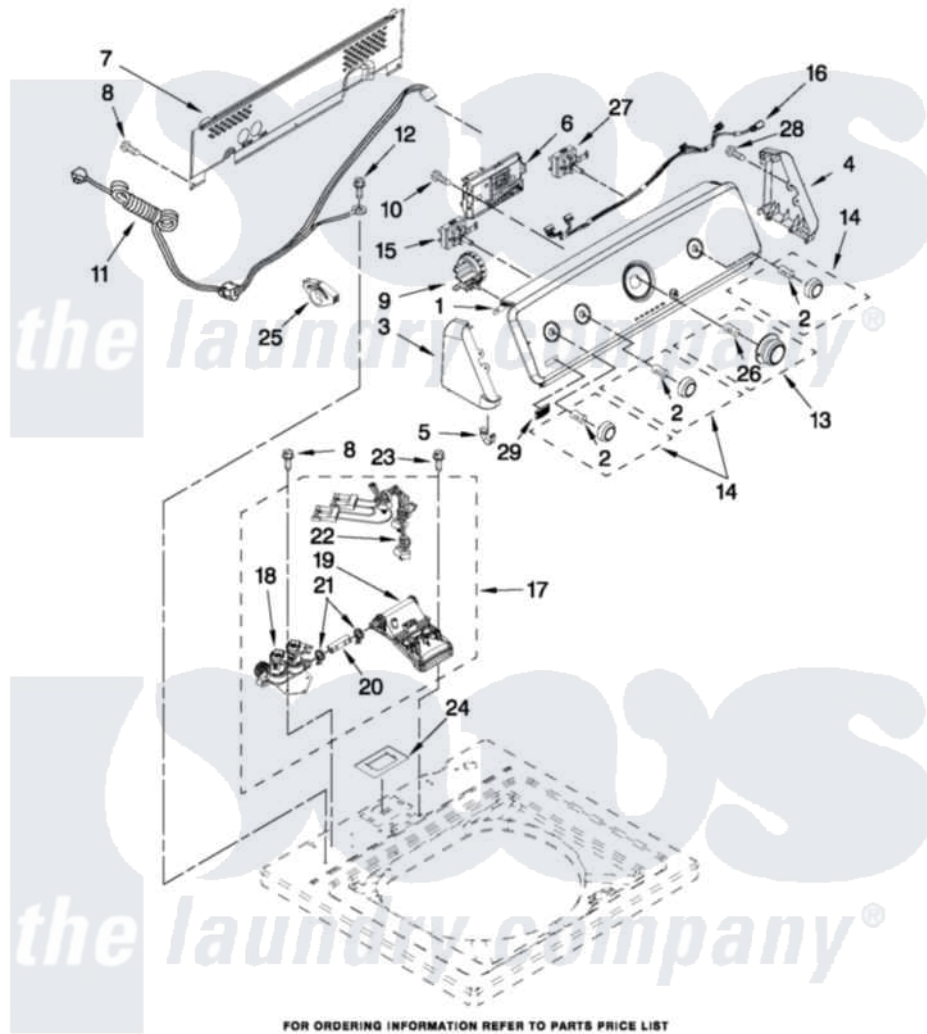


Maytag MVWC200XW0 02 - CONTROLS AND WATER INLET PARTS

CONTROLS AND WATER INLET PARTS

For Model: MVWC200XW0
(White)



W10284549

3

FOR ORDERING INFORMATION REFER TO PARTS PRICE LIST

Maytag [Residential Maytag MVWC200XW0 Washer Parts](#) Parts Diagram 02 - CONTROLS AND WATER INLET PARTS
Click on the part number to view part

Item	Original Part Number	Replaced By	Status	Part Description
1	W10251333			Panel, Console
2	8536939			Clip, Knob
3	W10193824			Endcap Console Bracket
4	W10193821			Cap, End
5	8312709			Clip-Console
6	W10296058	W10393483		Control-Elec
7	W10251310	W10420985		Panel, Console Rear Cover
8	1157158	489069		Xxscrew, 10-12 X 1/2
9	W10268911			Hose, Pressure Switch
10	90767			Screw, 8A X 3/8 HeX Washer Head Tapping
11	W10276649			Cord, Power
12	3400076			Screw, Bracket Mounting
13	W10317454			Timer Knob And Dial Assembly
14	W10317455			Knob, Push-To-Start
15	W10285512			Switch, Rotary Encoder

16	W10291175		Harness, Upper
17	W10337065	W10432353	Inlet Assembly, Water
18	W10336721	W10356257	Valve, Water Mixing
19	W10334611	W10441423	Vacuum Break
20	W10238347		Hose, Vacuum Break
21	W10117298	596669	Clamp, Manifold
22	W10337345	W10344775	Harness, Valve
23	8281163		Screw, Dispenser Housing Mounting
24	W10240973		Foam, Ivvb
25	W10348582		Cable Tie
26	688805		Clip, Spring Knob
27	W10285511		Switch, Rotary Encoder
28	359625	487240	Screw, For Mtg. Service Capacitor
29	W10323734		Badge, Assembly

