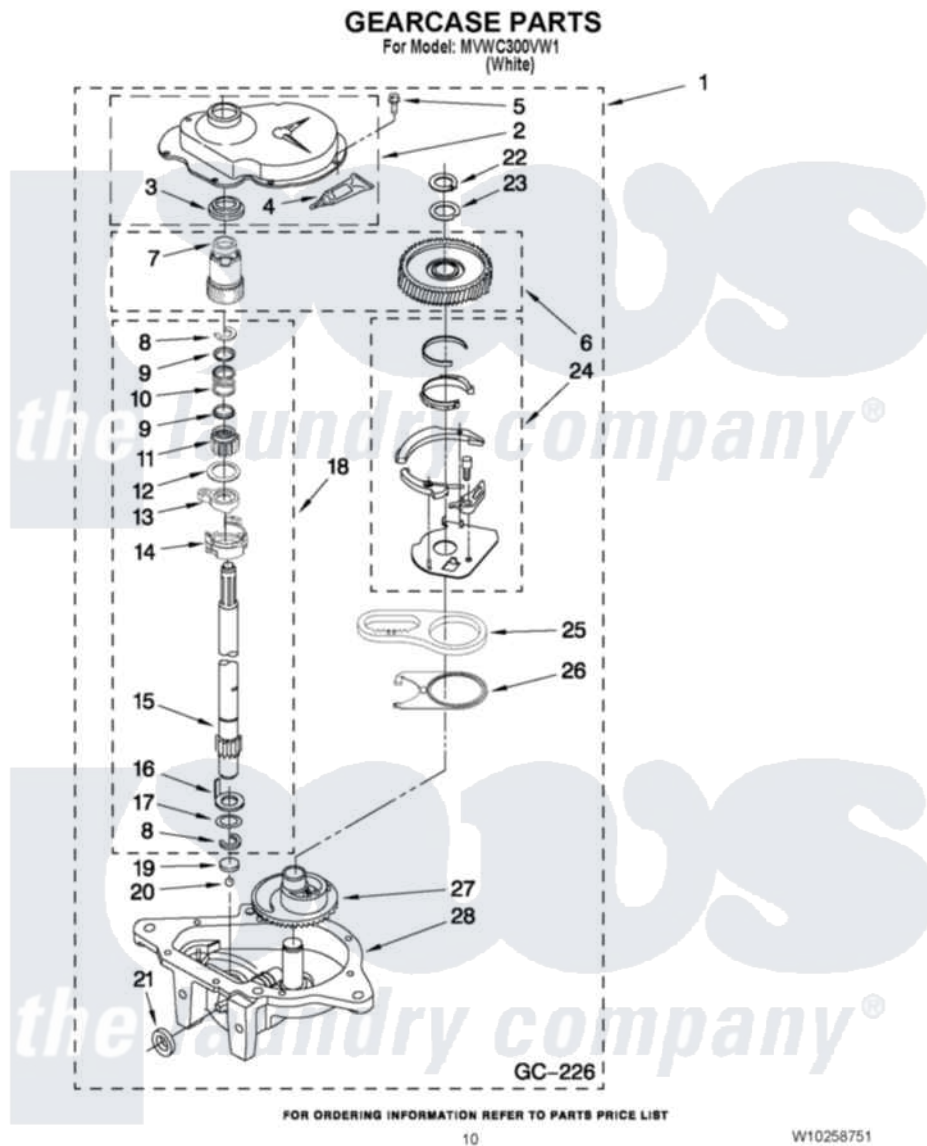


# Maytag MVWC300VW1 07 - GEARCASE PARTS



Maytag Residential Maytag MVWC300VW1 Washer Parts Parts Diagram 07 - GEARCASE PARTS  
Click on the part number to view part

Item	Original Part Number	Replaced By	Status	Part Description
1	W10251783	<a href="#">W10140307</a>		Gearcase
2	<a href="#">285202</a>			Cover, Gearcase
3	<a href="#">3349985</a>			Seal, Gearcase Cover
4	<a href="#">285195</a>			Sealer Sealer, Gasket
5	<a href="#">3351614</a>			Screw, Gearcase Cover Mounting
6	<a href="#">W10172898</a>			Spin Pinion And Gear Spin Kit
7	N/P		Not Available	SEAL, SPIN PINION (PART OF ITEM 6, NOT SERVICED SEPARATELY)
8	90369		Not Available	Ring, Retaining (2)
9	<a href="#">62677</a>			Retainer, Spring
10	<a href="#">62676</a>			Spring, Agitator
11	W10110245	<a href="#">285509</a>		Shaft, Agitator
12	<a href="#">62619</a>			Washer, Agitator Gear
13	62580	<a href="#">285206</a>		Cam-Agitator
14	3976349	<a href="#">285206</a>		Cam-Agitator

15	<a href="#">389231</a>		Shaft, Agitator
16	<a href="#">62618</a>		Washer, Cam Thrust
17	<a href="#">388815</a>		Washer, Intermediate 1 3976263 Miscellaneous Parts Bag 2 3976300 Washer, Inlet Hose 3 3366913 Clamp, Hose
18	<a href="#">389387</a>		Shaft, Agitator
19	16018	<a href="#">285205</a>	Bearing
20	85529	<a href="#">285205</a>	Bearing
21	W10111745	<a href="#">285352</a>	Seal Kit, Thrust Plug
22	3362552	<a href="#">285765</a>	Ring-Retr
23	<a href="#">285766</a>		Washer Kit, Thrust
24	388253	<a href="#">999516</a>	Shelf-Glas
25	<a href="#">8546456</a>		Rack, Connecting
26	<a href="#">62621</a>		Actuator, Shift
27	N/P	Not Available	GEAR-MAIN DRIVE (NOT SERVICED SEPARATELY)
28	N/P	Not Available	BOTTOM & PINION GEARCASE (NOT SERVICED SEPARATELY)

