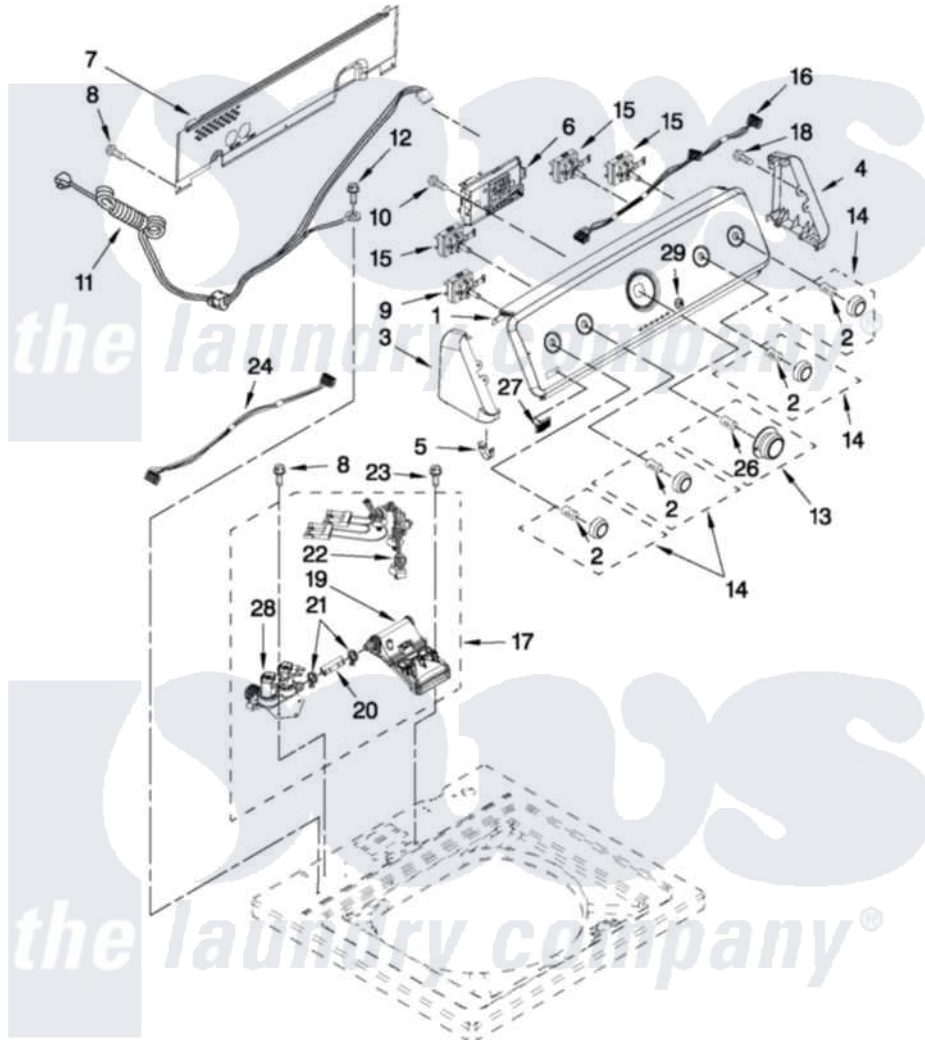


Maytag MVWC350AW0 02 - CONTROLS AND WATER INLET PARTS

CONTROLS AND WATER INLET PARTS

For Model: MVWC350AW0
(White)



FOR ORDERING INFORMATION REFER TO PARTS PRICE LIST

W10499056

3

Maytag Residential Maytag MVWC350AW0 Washer Parts Parts Diagram 02 - CONTROLS AND WATER INLET PARTS
Click on the part number to view part

Item	Original Part Number	Replaced By	Status	Part Description
1	W10468348			Panel, Console
2	8536939			Clip, Knob
3	W10193824			Endcap Console Bracket
4	W10193821			Cap, End
5	8312709			Clip-Console
6	W10484689			Control Unit Assembly,
7	W10420985			Panel, Console Rear Cover
8	1157158	489069		Xxscrew, 10-12 X 1/2
9	W10285518			Switch, Rotary Encoder
10	90767			Screw, 8A X 3/8 HeX Washer Head Tapping
11	W10276649			Cord, Power
12	3400076			Screw, Bracket Mounting
13	W10317454			Timer Knob And Dial Assembly
14	W10317455			Knob, Push-To-Start
15	W10285511			Switch, Rotary Encoder

16	W10291177		Harness, Upper
17	W10432353		Inlet Assembly, Water
18	359625	487240	Screw, For Mtg. Service Capacitor
19	W10441423		Vacuum Break
20	W10238347		Hose, Vacuum Break
21	W10117298	596669	Clamp, Manifold
22	W10344775		Harness, Valve
23	8281163		Screw, Dispenser Housing Mounting
24	W10291184		Harness, Upper E-Star
26	688805		Clip, Spring Knob
27	W10323734		Badge, Assembly
28	W10356257		Valve, Water Mixing
29	W10251309		Pushbutton, Start

