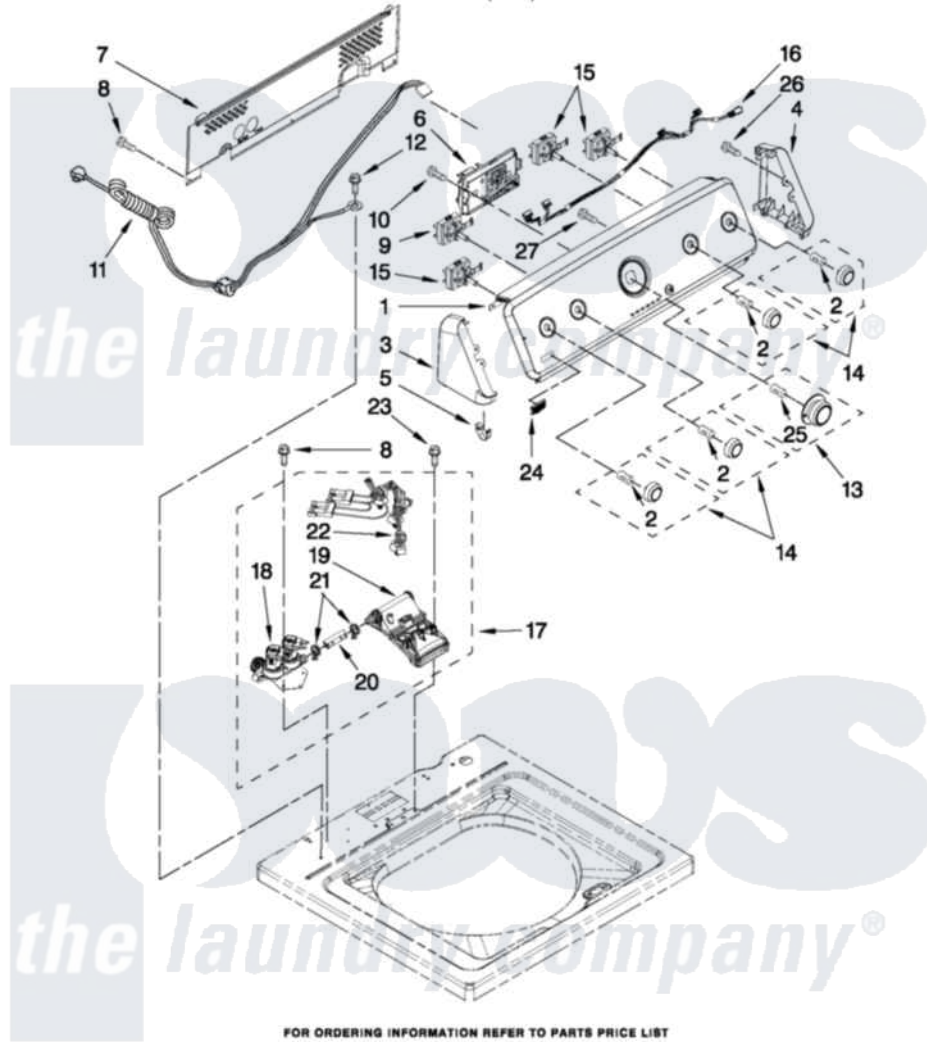


Maytag MVWC400XW2 02 - CONSOLE AND WATER INLET PARTS

CONSOLE AND WATER INLET PARTS

For Model: MVWC400XW2
(White)



W10416598

FOR ORDERING INFORMATION REFER TO PARTS PRICE LIST

3

Maytag [Residential Maytag MVWC400XW2 Washer Parts](#) Parts Diagram 02 - CONSOLE AND WATER INLET PARTS
Click on the part number to view part

Item	Original Part Number	Replaced By	Status	Part Description
1	W10251338			Panel, Console
2	8536939			Clip, Knob
3	W10193824			Endcap Console Bracket
4	W10193821			Cap, End
5	8312709			Clip-Console
6	W10406139	W10480274		Control Unit Assembly, Machine And Motor
7	W10251310	W10420985		Panel, Console Rear Cover
8	1157158	489069		Xxscrew, 10-12 X 1/2
9	W10285512			Switch, Rotary Encoder
10	90767			Screw, 8A X 3/8 HeX Washer Head Tapping
11	W10276649			Cord, Power
12	3400076			Screw, Bracket Mounting
13	W10317454			Timer Knob And Dial Assembly
14	W10317455			Knob, Push-To-Start

15	W10285511		Switch, Rotary Encoder
16	W10291177		Harness, Upper
17	W10357184	W10432353	Inlet Assembly, Water
18	W10356257		Valve, Water Mixing
19	W10334611	W10441423	Vacuum Break
20	W10238347		Hose, Vacuum Break
21	W10117298	596669	Clamp, Manifold
22	W10344775		Harness, Valve
23	8281163		Screw, Dispenser Housing Mounting
24	W10323734		Badge, Assembly
25	688805		Clip, Spring Knob
26	359625	487240	Screw, For Mtg. Service Capacitor
27	3400073		Screw, Ground

