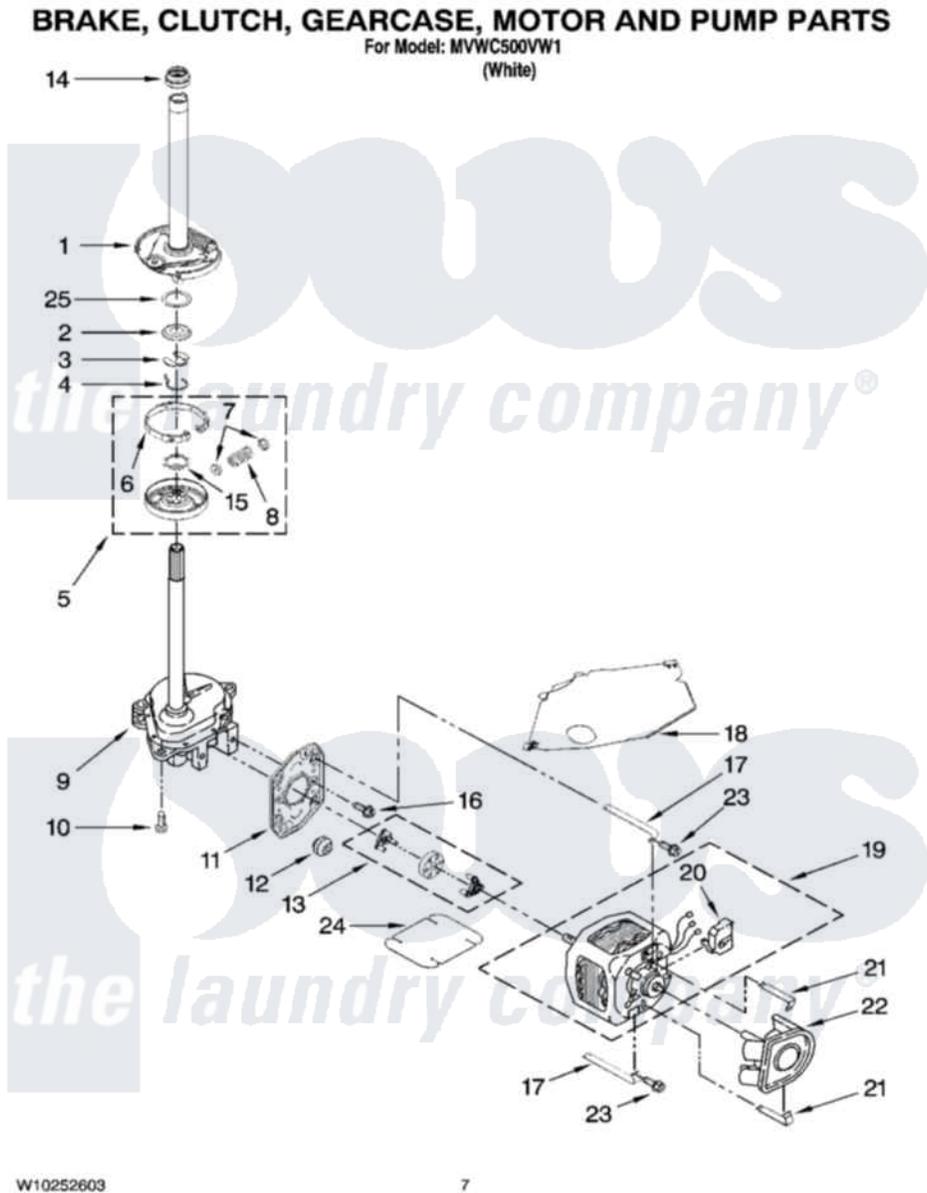


# Maytag MVWC500VW1 04 - BRAKE, CLUTCH, GEARCASE, MOTOR AND PUMP PARTS



Maytag [Residential Maytag MVWC500VW1 Washer Parts](#) Parts Diagram 04 - BRAKE, CLUTCH, GEARCASE, MOTOR AND PUMP PARTS

[Click on the part number to view part](#)

Item	Original Part Number	Replaced By	Status	Part Description
1	388952	<a href="#">285792</a>		Basketdrive
2	<a href="#">63292</a>			Washer, Spin Tube Thrust
3	62697	<a href="#">W10080230</a>		Ring, Spin Tube Support
4	63283	<a href="#">285353</a>		Ring
5	<a href="#">8299642</a>			Clutch
6	<a href="#">3951993</a>			Band And Lining, Clutch
7	<a href="#">62646</a>			Cap, Clutch Spring
8	<a href="#">8559387</a>			Spring And Damper Assembly
9	W10140301	<a href="#">W10140307</a>		Gearcase
10	3357334	<a href="#">3400516</a>		Screw Anti-Rattle
11	<a href="#">62611</a>			Plate, Motor Mount To Gearcase
12	<a href="#">62691</a>			Grommet, Motor
13	3978849	<a href="#">285852A</a>		Coupling
14	<a href="#">8577374</a>			Seal, Centerpost

15	<a href="#">3355454</a>		Clip, Main Drive
16	<a href="#">3400516</a>		Screw Anti-Rattle
17	<a href="#">W10086010</a>		Retainer, Motor
18	<a href="#">3362089</a>		Shield, Tub To Motor
19	8528157	<a href="#">661600</a>	Motor, Main Drive
20	<a href="#">3952056</a>		Switch, Main Drive Motor
21	<a href="#">8546127</a>		Retainer, Pump
22	<a href="#">3363394</a>		Pump
23	3387485	<a href="#">273556</a>	Screw, 10-16 X 5/8
24	<a href="#">3946532</a>		Shield, Motor
25	<a href="#">8578981</a>		Washer, Thrust

