

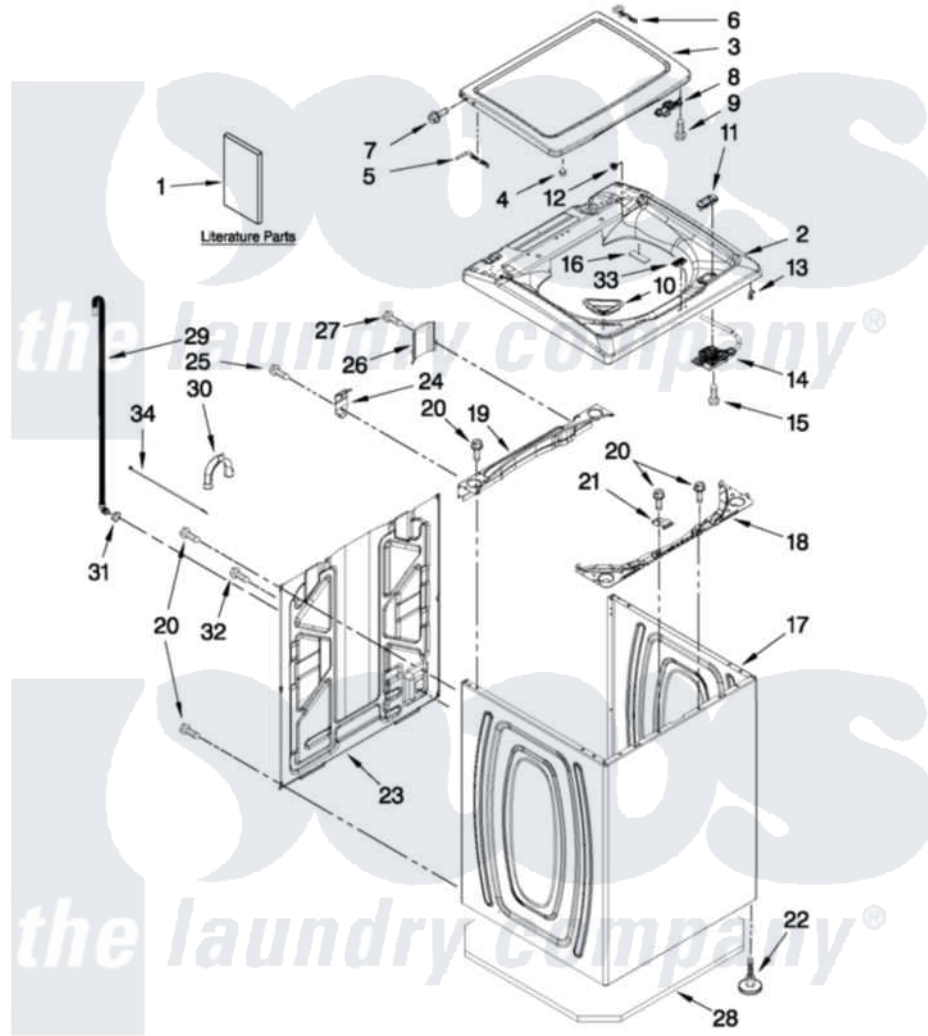
Maytag MVWX500XW1 01 - TOP AND CABINET PARTS

MAYTAG

TOP AND CABINET PARTS

AUTOMATIC WASHER

For Models: MVWX500XW1, MVWX500XL1
(White) (Silver)



FOR ORDERING INFORMATION REFER TO PARTS PRICE LIST

4-11 Litho in U.S.A. (MP)(bay)

1

Part No. W10413280 Rev. A

Maytag [Residential Maytag MVWX500XW1 Washer Parts](#) Parts Diagram 01 - TOP AND CABINET PARTS

[Click on the part number to view part](#)

Item	Original Part Number	Replaced By	Status	Part Description
1	W10240509			Installation Instructions
"	W10240510		Not Available	INSTALLATION INSTRUCTIONS (SPANISH)
"	W10280467		Not Available	USE & CARE GUIDE
"	W10280504		Not Available	INSTRUCTIONS, SOUND SHIELD INSTALLATION
"	W10338674		Not Available	TECH SHEET
"	W10280498		Not Available	QUICK START GUIDE
"	W10062961		Not Available	ENERGY GUIDE
2	W10238290			Top
"	W10268719			Top
3	W10270565			Lid
"	W10270567			Lid
4	9724509			Bumper, Lid
5	W10295775			Hinge, Wire
6	W10294031			Hinge Wire
7	W10119828			Screw, Lid Hinge Mounting

8	W10240513		Strike, Lid Lock
"	W10240514		Strike, Lid Lock
9	W10273971		Screw, 6-19 X 1/2
10	W10240977		Dispenser, Bleach
"	W10304138		Dispenser, Bleach
11	W10392041		Bezel, Lid Lock
"	W10392092		Bezel, Lid Lock
12	W10293272		Bearing, Lid Hinge
"	W10293230		Bearing, Lid Hinge
13	90016		Clip, Pressure Switch Hose
14	W10238287	W10404050	Latch
15	8281163		Screw, Dispenser Housing Mounting
16	W10333228		Pad, Lid Hinge
17	W10251994	W10338650	Cabinet
"	W10240528	W10338651	Cabinet
18	W10215098		Brace, Cabinet Top Front
19	W10215099		Brace, Cabinet Top Rear
20	1157158	489069	Xxscrew, 10-12 X 1/2
21	W10248088		Lock, Top
22	W10335586	W10397767	Foot Assembly, Leveling
23	W10250884		Panel Rear
24	W10215102		Hinge, Top
25	W10142728	3370225	Screw
26	W10215139		Cover, Harness
27	3400076		Screw, Bracket Mounting
28	W10317148	W10319260	Sound Absr
29	W10221546		Hose, Outer Drain Assembly
30	W10280024		U-Bend, Drain Hose
31	356138		Clamp, Hose
32	9740848		Screw, Mixing Valve Mounting
33	W10323735		Badge
34	W10339879		Tie, Cable

