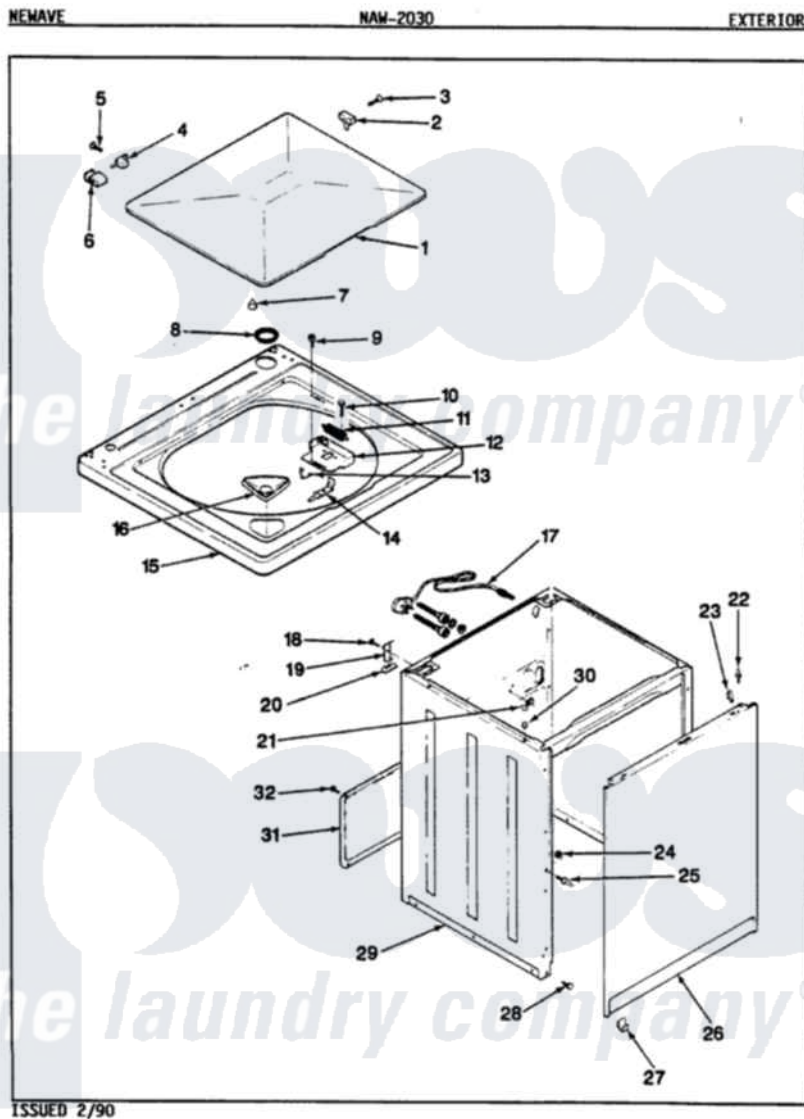


# Maytag NAW2030A 05 - EXTERIOR (REV. E)



Maytag [Residential Maytag NAW2030A Washer Parts](#) Parts Diagram 05 - EXTERIOR (REV. E)  
 Click on the part number to view part

Item	Original Part Number	Replaced By	Status	Part Description
1	35-2103-24		Not Available	CLOTHER DOOR
2	<a href="#">25-7436</a>			Nylite Washer
"	<a href="#">43-0057</a>			Actuator, Door Switch
3	<a href="#">25-7438</a>			Screw
4	25-7086	<a href="#">Y0308025</a>		Washer, Stainless Steel
"	<a href="#">35-2045</a>			Pin, Hinge
5	<a href="#">25-7893</a>			Screw
6	<a href="#">33-6956</a>			Hinge
7	<a href="#">35-0581</a>			Bumper, Door
8	<a href="#">35-2063</a>			Bushing, Insulator
9	25-7463	<a href="#">7101P012-60</a>		Screw
10	25-7437	<a href="#">40040701</a>		Screw, Tapping No.6b-20
11	33-8911	<a href="#">12001187</a>		Kit, Lid Switch Assembly
"	33-9064	<a href="#">12001187</a>		Kit, Lid Switch Assembly
12	33-8289	<a href="#">12001187</a>		Kit, Lid Switch Assembly
13	<a href="#">25-7878</a>			Clip

14	33-9063	<a href="#">12001187</a>	Kit, Lid Switch Assembly
15	35-2739-24		Not Available TOP, CABINET (ALM)
16	33-9906	<a href="#">21001167</a>	Dispenser, Bleach
17	25-7733	<a href="#">681414</a>	Screw, 10AB X 1/2
18	<a href="#">25-7893</a>		Screw
19	33-7450	<a href="#">35-2846</a>	Hinge, Cabinet Top
20	<a href="#">33-6957</a>		Hinge Pad
21	<a href="#">33-6099</a>		Clamp
22	<a href="#">53-0643</a>		Pin, Locator
23	<a href="#">34-9701</a>		Guide, Cabinet
24	25-0224	<a href="#">3400029</a>	Nut, Adapter Plate
25	<a href="#">53-0643</a>		Pin, Locator
26	<a href="#">35-2084-24</a>		Panel, Front
27	<a href="#">53-0120</a>		Clip, Front Panel
28	<a href="#">33-2653</a>		Bumper, Cabinet
29	35-2106-24	<a href="#">12001802</a>	Kit, Cabinet/Rear Shield
30	<a href="#">33-2653</a>		Bumper, Cabinet
31	35-2108	<a href="#">21001871</a>	Cabinet

