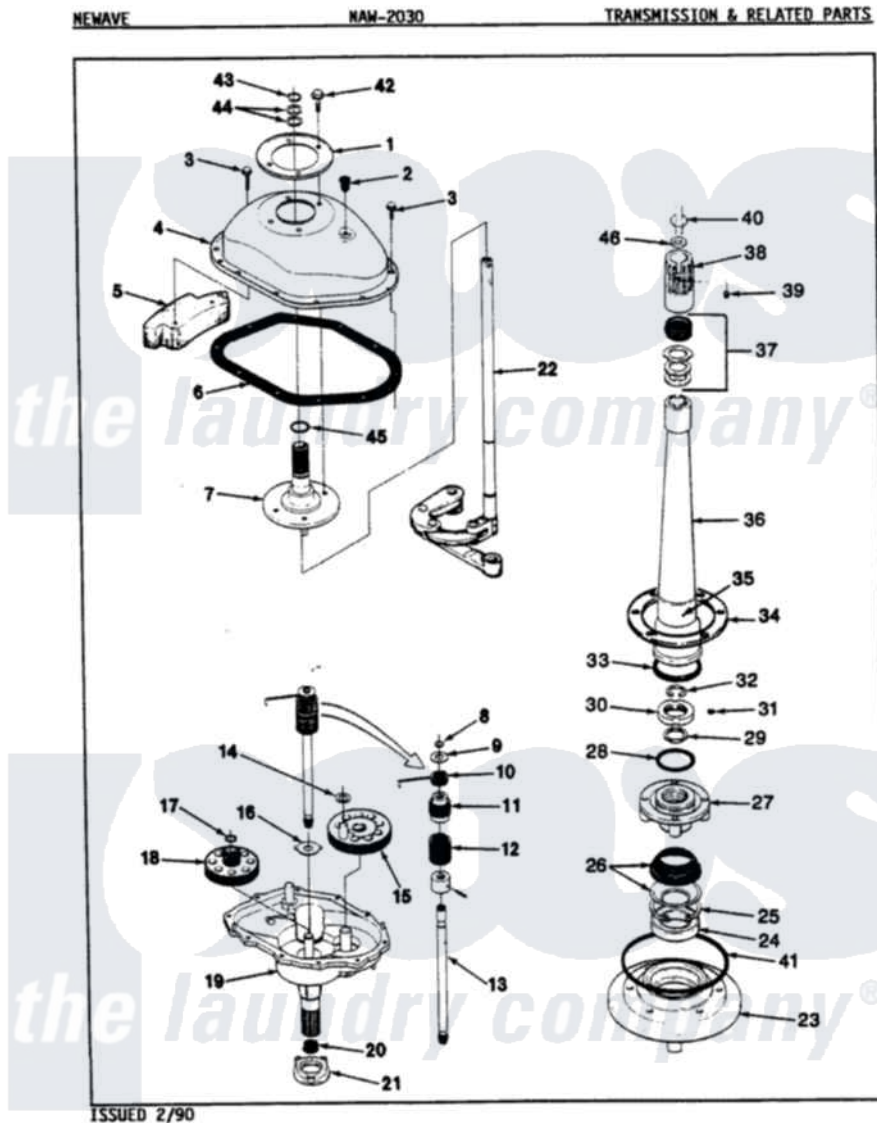


Maytag NAW2030A 06 - TRANSMISSION & RELATED PARTS (REV. E)



Maytag Residential Maytag NAW2030A Washer Parts Parts Diagram 06 - TRANSMISSION & RELATED PARTS (REV. E)

Click on the part number to view part

Item	Original Part Number	Replaced By	Status	Part Description
1	33-9893	33-7187		Covr Reinforcmt
2	35-2621			Plug, Oil Fill
3	25-7916			Bolt
4	35-2620		Not Available	COVER, TRANSMISSION
5	35-2642			Counterweight
6	35-1030		Not Available	GASKET, TRANSMISSION HOUSING
7	35-2654			Drive Tube Assembly
8	25-7847			Ring, Retaining
9	25-7416		Not Available	WASHER, FLAT
10	33-6114	33-6463		Spring
11	35-2001			Pinion, Drive
12	33-3195		Not Available	SPRING
13	LA-2005			Clutch Assembly Kit
"	35-2116		Not Available	DRIVE SHAFT & HUB ASSY
14	25-7091			Thrust Washer

15	35-2631		Not Available	GEAR, CRANK
16	35-2462	35-3825		Washer, Nylon
"	35-2070			Washer, Steel W/Tabs
"	25-7274		Not Available	WASHER, STEEL
17	25-7853	25-7933		Ring, Retaining
18	35-2527			Gear, Cluster
19	35-2640		Not Available	TRANSMISSION HOUSING
20	35-2010	207843		Lip Seal Repair Kit
21	35-2111	12001562		Bearing Assembly
22	35-2637		Not Available	LINKAGE ASSY
23	35-2059	35-2450		Housing Assembly, Bearing And Seal
24	35-2205			Bearing, Spin
25	25-7849			Retaining Ring
26	33-7224N			Tub Seal Assembly
27	33-9987		Not Available	BASKET HUB ASM
28	35-2061			Gasket, Tub To Housing
29	25-7722	33-4293N		Gasket Kit
30	33-9507	33-9504		Locknut
31	25-7120			Set Screw
32	25-7848			Retaining Ring
33	33-8718			Gasket
34	35-0930			Gasket
35	33-6790			Bearing, Agitator
36	33-4283N		Not Available	CENTERPOST KIT
37	33-7806N			Seal Assembly
38	33-9729		Not Available	DRIVE BLOCK ASM
39	25-7378			Set Screw
40	33-6817			Stud
41	35-2060			Seal, Tub To Housing
42	25-7359			Screw
43	25-7848			Retaining Ring
44	25-7057			Washer, Flat
45	25-7722	33-4293N		Gasket Kit
46	25-7316			Flat Washer

