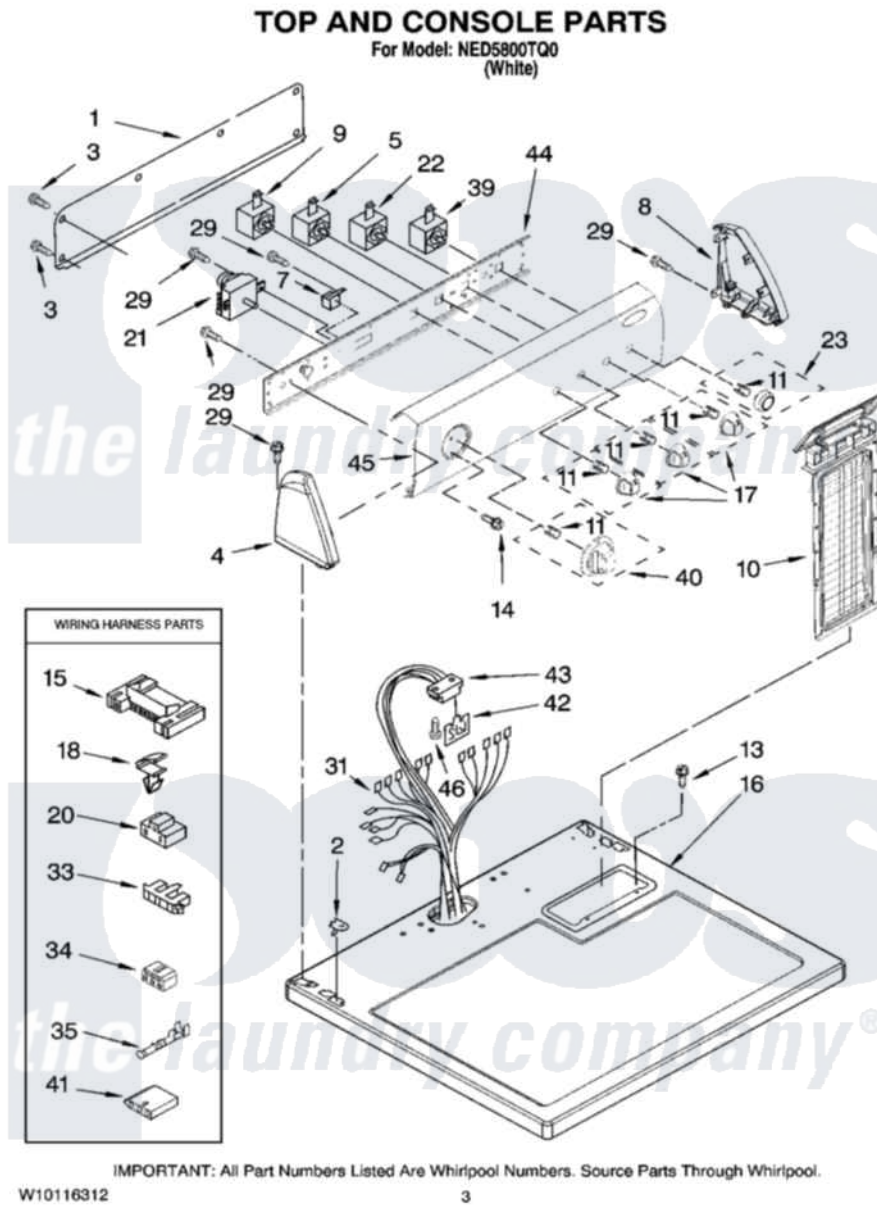


# Maytag NED5800TQ0 02 - TOP AND CONSOLE PARTS



Maytag Residential Maytag NED5800TQ0 Dryer Parts Parts Diagram 02 - TOP AND CONSOLE PARTS  
Click on the part number to view part

Item	Original Part Number	Replaced By	Status	Part Description
1	<a href="#">8274261</a>			Do-It-Yourself Repair Manuals
2	<a href="#">357213</a>			Nut, Push-In
3	<a href="#">693995</a>			Screw, Hex Head
4	8271365	<a href="#">279962</a>		Endcap
5	<a href="#">3405154</a>			Switch Rotary
7	<a href="#">694419</a>			Mini-Buzzer
8	8271359	<a href="#">279962</a>		Endcap
9	<a href="#">8578352</a>			Switch, Temperature
10	<a href="#">8558463</a>			HAndle And Lint Screen Assembly
11	<a href="#">8536939</a>			Clip, Knob
13	688983	<a href="#">487240</a>		Screw, For Mtg. Service Capacitor
14	8533951	<a href="#">3400859</a>		Screw, Grounding
15	<a href="#">3395683</a>			Receptacle, Multi-Terminal
16	8557930	<a href="#">8563985</a>		Top
17	<a href="#">W10110047</a>			Knob, Control

18	<a href="#">3394427</a>		Clip-Harness
20	<a href="#">3401144</a>		Connector
21	<a href="#">3406725</a>		Timer Assembly
22	<a href="#">3405152</a>		Switch, Wrinkle Shield
23	<a href="#">W10110049</a>		Knob, Push-To-Start
29	8533971	<a href="#">90767</a>	Screw, 8A X 3/8 HeX Washer Head Tapping
31	<a href="#">8576545</a>		Harness, Wiring
33	<a href="#">3397269</a>		Connector, Timer
34	<a href="#">3347243</a>		Block, Disconnect
35	<a href="#">94614</a>		Terminal
39	<a href="#">3398094</a>		Switch, Push To Start
40	<a href="#">W10110048</a>		Timer Knob Assembly
41	<a href="#">3936144</a>		Do-It-Yourself Repair Manuals
42	<a href="#">8558178</a>		Control, Electronic
43	<a href="#">3391885</a>		Connector, Edge
44	<a href="#">8271418</a>		Bracket, Control
45	<a href="#">W10086671</a>		Panel, Control
46	343641	<a href="#">681414</a>	Screw, 10AB X 1/2

