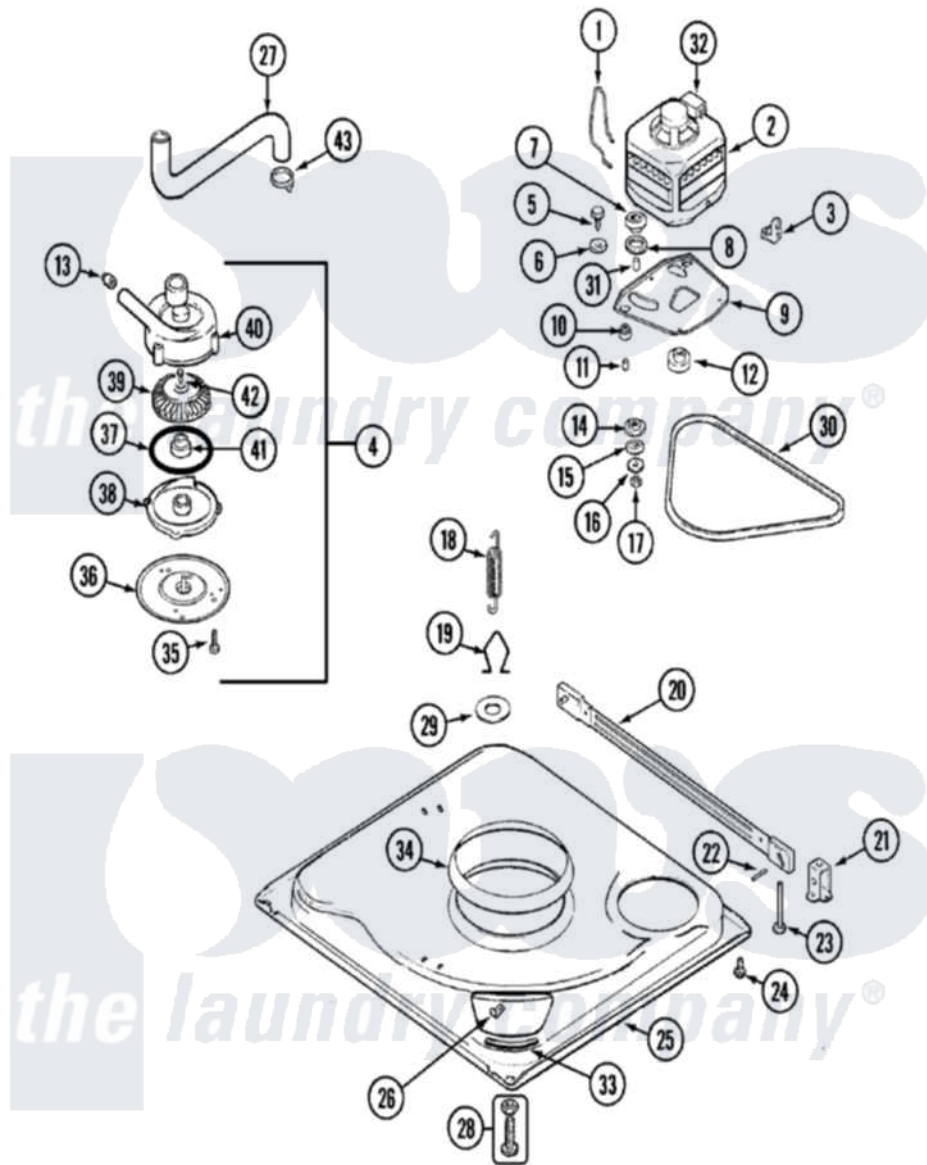


Maytag PAV1000GGE 01 - BASE



Maytag [Residential Maytag PAV1000GGE Washer Parts](#) Parts Diagram 01 - BASE
 Click on the part number to view part

Item	Original Part Number	Replaced By	Status	Part Description
1	21001110	22004376		Spring, Motor Pivot
2	21001231	LA-2003		Motor Replacement Kit
"	25-7117			Set Screw
3	21001109	21001486		Foot Slide, Isolator
4	35-2099	35-6465		Pump Assem
5	25-7833	21001977		Screw
6	25-7834			Washer, Motor/Base Screw
7	33-9946			Isolator, Motor
8	35-3570			Washer, Motor Pivot
9	21001111	21001783		Plate And Screw Assembly
10	35-3646			Isolator, Motor Plate
11	25-7831			Spacer, Mounting
12	33-1171	21001833		Pulley, Motor
13	35-2344			Restrictor, Flow
14	35-3571			Slide, Motor Pivot
15	33-9967			Washer, Motor Isolator

16	25-7047		Washer, Flat
17	25-7325	Y707702	Locknut
18	21001165		Spring, Suspension
"	21001138	22002922	Tool, Spring Removal
19	21001166		Hook, Suspension Spring
20	35-2049	21001881	Bar, Stabilizer
21	35-2046		Bracket, Stabilizer
22	35-2052		Pin, Stabilizer
23	35-3020	22004469	Leg And Foot Self Stabalizing
24	31001041	308685	Side Trim)
25	21001169	12002701	Base Kit
26	25-7845		Speednut, Motor
27	35-3584	21001915	Hose, Tub To Pump
28	35-3507	25001119	Foot And Pad Assembly
29	Y25-7951		Washer, Suspension Hook
30	35-2512		Not Available
"	35-2279		BELT SHIELD
31	25-7830		Belt, Drive
32	33-9765		Spacer
33	35-2065		Switch, Motor
34	21001161	21002026	Pad, Motor Plate
35	25-7419		Snubber
36	33-6035		Not Available
37	33-6032		Not Available
38	35-2058		SCREW
39	35-2057	35-6465	PLATE & PULLEY ASSY.
40	35-2056		Gasket
41	35-0707		Base, Pump
42	25-7828	489483	Pump Assem
43	25-6068	285655	Not Available
			HOUSING, PUMP
			Seal, Seat And "O" Ring
			Screw 10-32 X 1/2
			Clamp, Hose

