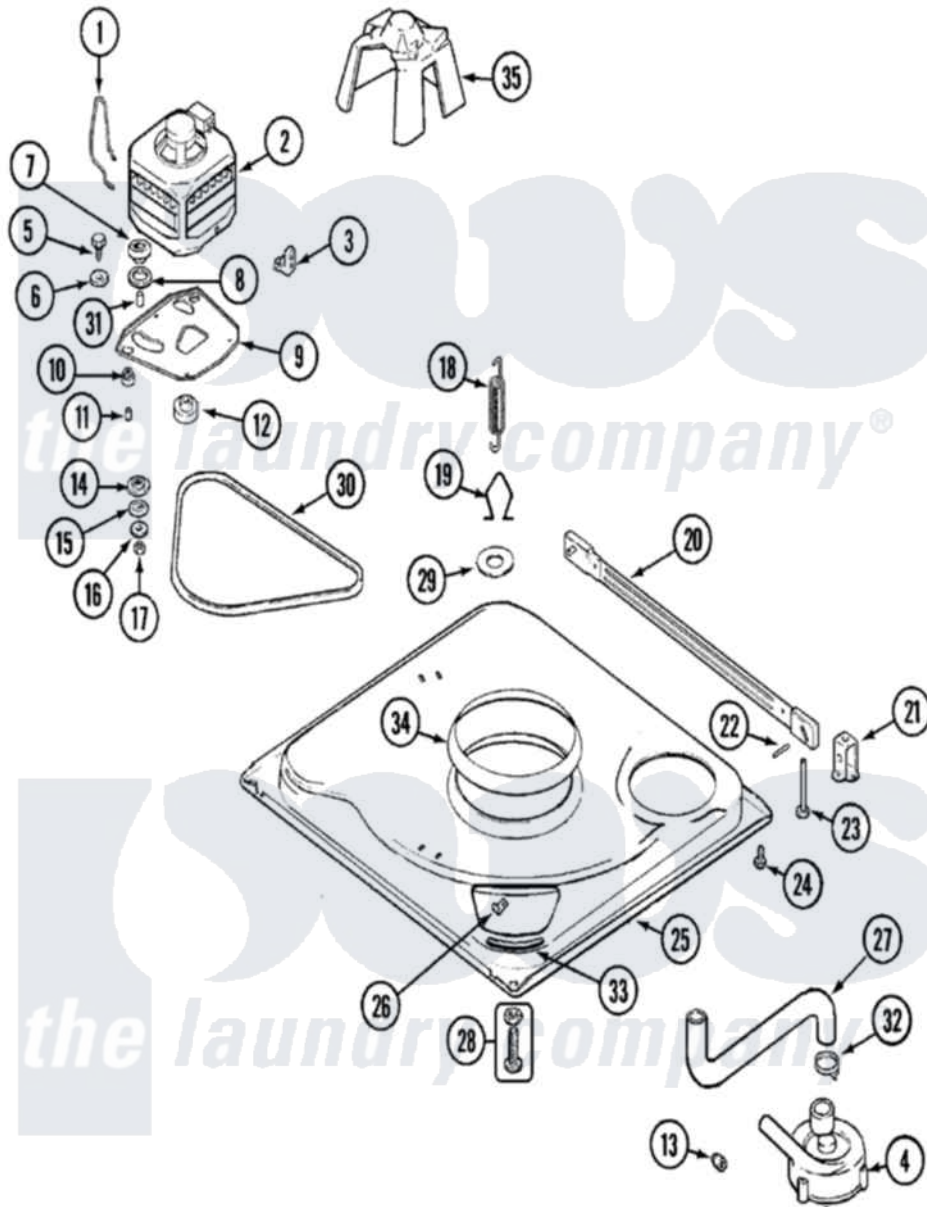


# Maytag PAV2200AGW 01 - BASE



Maytag [Residential Maytag PAV2200AGW Washer Parts](#) Parts Diagram 01 - BASE  
 Click on the part number to view part

| Item | Original Part Number     | Replaced By              | Status | Part Description         |
|------|--------------------------|--------------------------|--------|--------------------------|
| 1    | 21001110                 | <a href="#">22004376</a> |        | Spring, Motor Pivot      |
| 2    | <a href="#">21001637</a> |                          |        | Motor                    |
| 3    | 21001109                 | <a href="#">21001486</a> |        | Foot Slide, Isolator     |
| 4    | 35-2099                  | <a href="#">35-6465</a>  |        | Pump Assem               |
| 5    | 25-7833                  | <a href="#">21001977</a> |        | Screw                    |
| 6    | <a href="#">25-7834</a>  |                          |        | Washer, Motor/Base Screw |
| 7    | <a href="#">33-9946</a>  |                          |        | Isolator, Motor          |
| 8    | <a href="#">35-3570</a>  |                          |        | Washer, Motor Pivot      |
| 9    | 21001111                 | <a href="#">21001783</a> |        | Plate And Screw Assembly |
| 10   | <a href="#">35-3646</a>  |                          |        | Isolator, Motor Plate    |
| 11   | <a href="#">25-7831</a>  |                          |        | Spacer, Mounting         |
| 12   | <a href="#">25-7117</a>  |                          |        | Set Screw                |
| "    | 33-1171                  | <a href="#">21001833</a> |        | Pulley, Motor            |
| 13   | <a href="#">35-2344</a>  |                          |        | Restrictor, Flow         |
| 14   | <a href="#">35-3571</a>  |                          |        | Slide, Motor Pivot       |
| 15   | <a href="#">33-9967</a>  |                          |        | Washer, Motor Isolator   |

|    |                          |                          |                               |
|----|--------------------------|--------------------------|-------------------------------|
| 16 | <a href="#">25-7047</a>  |                          | Washer, Flat                  |
| 17 | 25-7325                  | <a href="#">Y707702</a>  | Locknut                       |
| 18 | <a href="#">21001598</a> |                          | Spring, Suspension            |
| 19 | <a href="#">21001166</a> |                          | Hook, Suspension Spring       |
| 20 | 35-2049                  | <a href="#">21001881</a> | Bar, Stabilizer               |
| 21 | <a href="#">35-2046</a>  |                          | Bracket, Stabilizer           |
| 22 | <a href="#">35-2052</a>  |                          | Pin, Stabilizer               |
| 23 | 35-3020                  | <a href="#">22004469</a> | Leg And Foot Self Stabalizing |
| 24 | 31001041                 | <a href="#">308685</a>   | Side Trim )                   |
| 25 | 21001169                 | <a href="#">12002701</a> | Base Kit                      |
| 26 | <a href="#">25-7845</a>  |                          | Speednut, Motor               |
| 27 | 35-3584                  | <a href="#">21001915</a> | Hose, Tub To Pump             |
| 28 | 35-3507                  | <a href="#">25001119</a> | Foot And Pad Assembly         |
| 29 | <a href="#">Y25-7951</a> |                          | Washer, Suspension Hook       |
| 30 | <a href="#">35-2279</a>  |                          | Belt, Drive                   |
| 31 | <a href="#">25-7830</a>  |                          | Spacer                        |
| 32 | 25-6068                  | <a href="#">285655</a>   | Clamp, Hose                   |
| 33 | <a href="#">35-2065</a>  |                          | Pad, Motor Plate              |
| 34 | 21001161                 | <a href="#">21002026</a> | Snubber                       |
| 35 | <a href="#">22002721</a> |                          | Shield, Motor                 |
| "  | 21002015                 | <a href="#">4312464</a>  | Screw                         |

