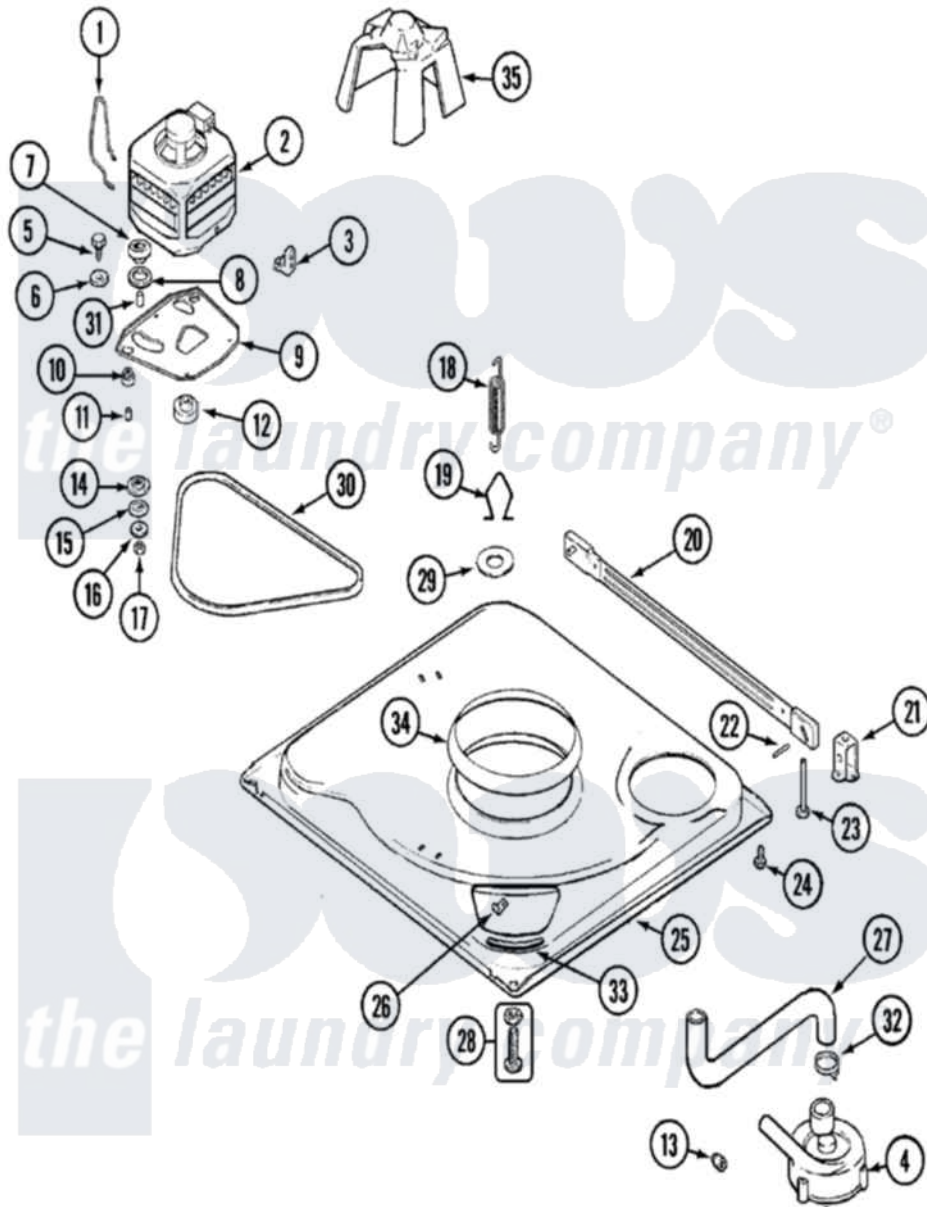


# Maytag PAV2250AWW 01 - BASE



Maytag [Residential Maytag PAV2250AWW Washer Parts](#) Parts Diagram 01 - BASE  
 Click on the part number to view part

Item	Original Part Number	Replaced By	Status	Part Description
1	21001110	<a href="#">22004376</a>		Spring, Motor Pivot
2	<a href="#">21001632</a>			Motor
3	21001109	<a href="#">21001486</a>		Foot Slide, Isolator
4	35-2099	<a href="#">35-6465</a>		Pump Assem
5	25-7833	<a href="#">21001977</a>		Screw
6	<a href="#">25-7834</a>			Washer, Motor/Base Screw
7	<a href="#">33-9946</a>			Isolator, Motor
8	<a href="#">35-3570</a>			Washer, Motor Pivot
9	21001111	<a href="#">21001783</a>		Plate And Screw Assembly
10	<a href="#">35-3646</a>			Isolator, Motor Plate
11	<a href="#">25-7831</a>			Spacer, Mounting
12	<a href="#">25-7117</a>			Set Screw
"	21001475	<a href="#">W10143344</a>		Pulley
13	<a href="#">35-2344</a>			Restrictor, Flow
14	<a href="#">35-3571</a>			Slide, Motor Pivot
15	<a href="#">33-9967</a>			Washer, Motor Isolator

16	<a href="#">25-7047</a>		Washer, Flat
17	25-7325	<a href="#">Y707702</a>	Locknut
18	<a href="#">21001598</a>		Spring, Suspension
19	<a href="#">21001166</a>		Hook, Suspension Spring
20	35-2049	<a href="#">21001881</a>	Bar, Stabilizer
21	<a href="#">35-2046</a>		Bracket, Stabilizer
22	<a href="#">35-2052</a>		Pin, Stabilizer
23	35-3020	<a href="#">22004469</a>	Leg And Foot Self Stabalizing
24	31001041	<a href="#">308685</a>	Side Trim )
25	21001169	<a href="#">12002701</a>	Base Kit
26	<a href="#">25-7845</a>		Speednut, Motor
27	35-3584	<a href="#">21001915</a>	Hose, Tub To Pump
28	35-3507	<a href="#">25001119</a>	Foot And Pad Assembly
29	<a href="#">Y25-7951</a>		Washer, Suspension Hook
30	<a href="#">21352320</a>		Belt, Drive
31	<a href="#">25-7830</a>		Spacer
32	25-6068	<a href="#">285655</a>	Clamp, Hose
33	<a href="#">35-2065</a>		Pad, Motor Plate
34	21001161	<a href="#">21002026</a>	Snubber
35	<a href="#">22002721</a>		Shield, Motor

