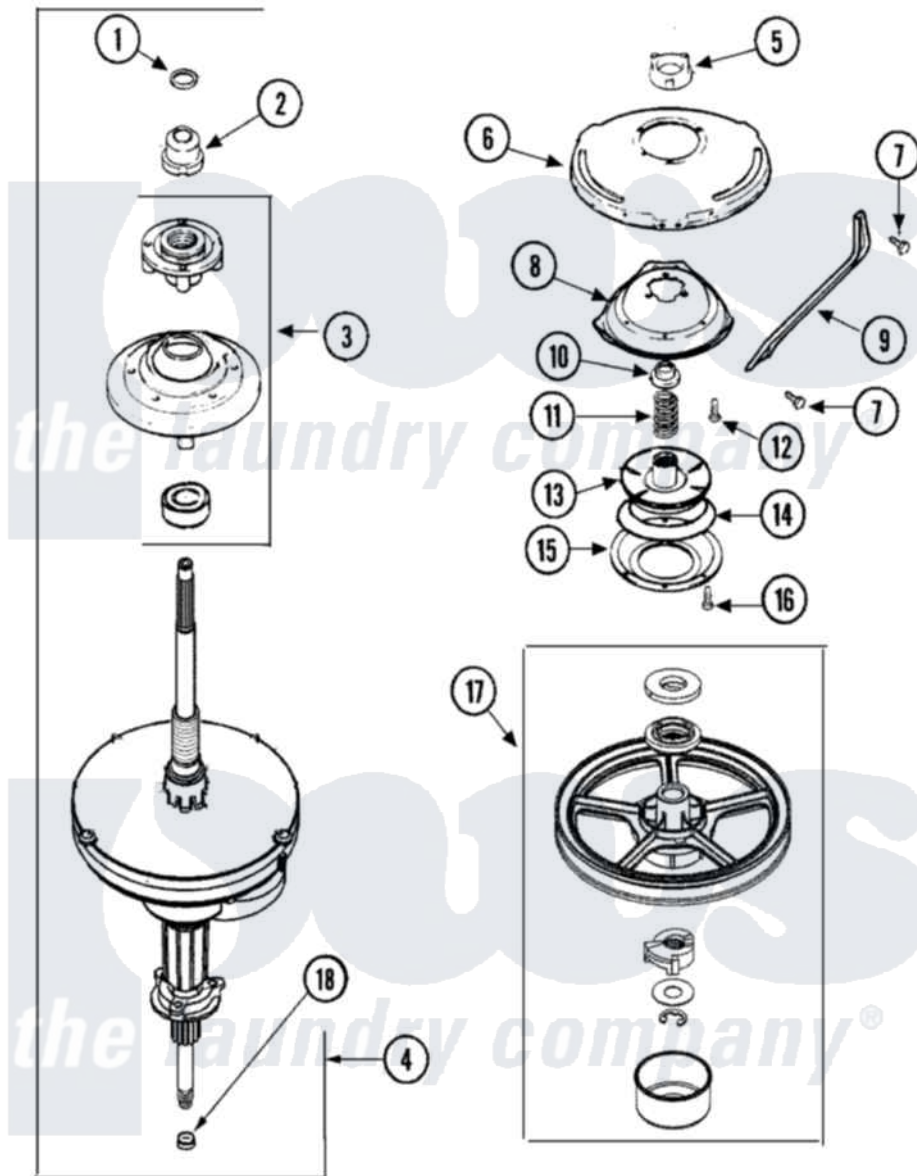


# Maytag PAV2300AGW 08 - TRANSMISSION (SERIES 22)



Maytag Residential Maytag PAV2300AGW Washer Parts Parts Diagram 08 - TRANSMISSION (SERIES 22)  
 Click on the part number to view part

Item	Original Part Number	Replaced By	Status	Part Description
1	<a href="#">25-7941</a>			"O" Ring, Agrtr Drive Shaft
2	21001533	<a href="#">35-5655-1</a>		Seal
3	21001868	<a href="#">W10219156</a>		Tub Seal
4	21001867	<a href="#">35-6615</a>		Ht TranS S
5	21001511	<a href="#">12001562</a>		Bearing Assembly
6	<a href="#">21001518</a>			Support, Tub
7	<a href="#">21001858</a>			Screw 5/16-18 x 1/2
8	<a href="#">21001163</a>			Housing, Suspension
9	<a href="#">21001532</a>			Brace, Tub
10	<a href="#">35-2017</a>			Retainer, Brake Spring
11	<a href="#">21001910</a>			Spring, Brake
12	<a href="#">21001509</a>			Screw, High Performance Plastic
13	21002010	<a href="#">35-6714</a>		Brake Roto
14	<a href="#">21002026</a>			Snubber
15	<a href="#">35-6918</a>			Stator, Brake
16	<a href="#">21001065</a>			Screw, No.10-24 x .50 Hxnibhd

