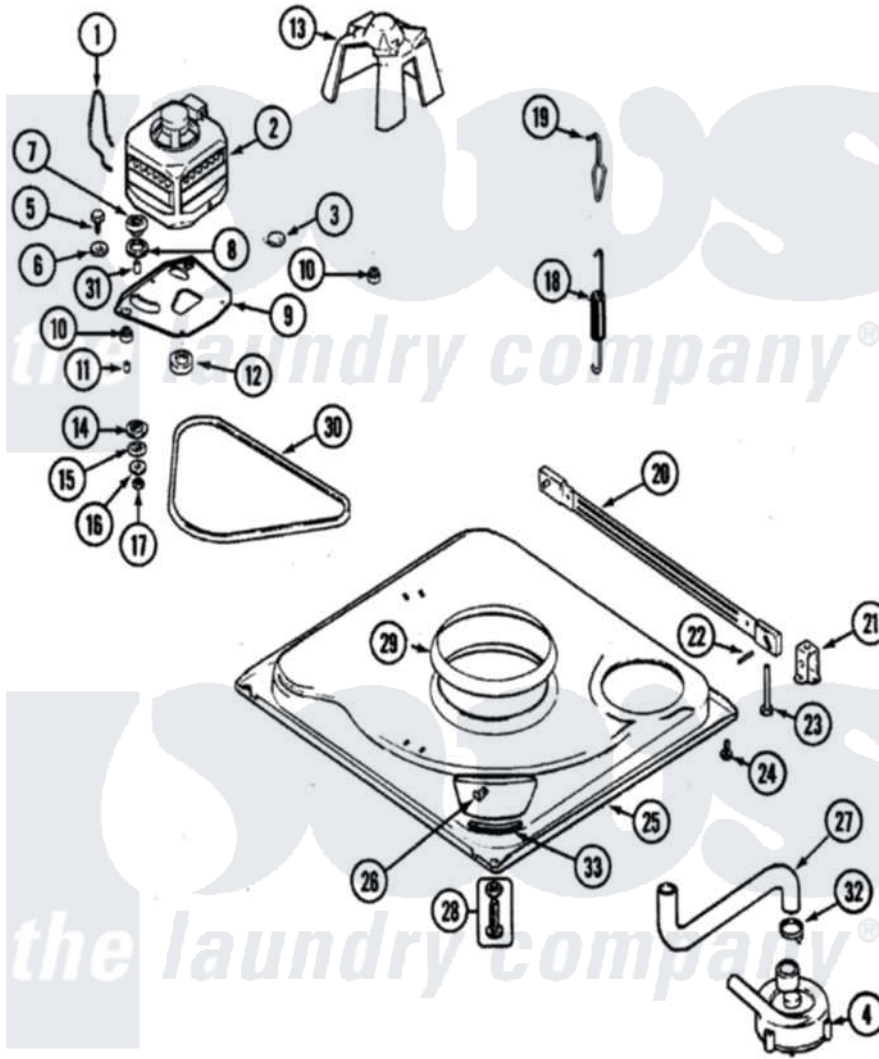


Maytag PAV4960AWW 02 - BASE (SERIES 19)



Maytag [Residential Maytag PAV4960AWW Washer Parts](#) Parts Diagram 02 - BASE (SERIES 19)
 Click on the part number to view part

| Item | Original Part Number | Replaced By | Status | Part Description |
|------|--------------------------|--------------------------|--------|-----------------------------------|
| 1 | 21001110 | 22004376 | | Spring, Motor Pivot |
| 2 | 21001750 | 21001950 | | MoTor, 2SP 1/2hp 120V/60Hz Hi-Tor |
| 3 | 21001486 | | | Foot Slide, Isolator |
| 4 | 21001873 | 35-6780 | | Pump-Water |
| 5 | 25-7833 | 21001977 | | Screw |
| 6 | 25-7834 | | | Washer, Motor/Base Screw |
| 7 | 33-9946 | | | Isolator, Motor |
| 8 | 35-3570 | | | Washer, Motor Pivot |
| 9 | 21001783 | | | Plate And Screw Assembly |
| 10 | 35-3646 | | | Isolator, Motor Plate |
| 11 | 25-7831 | | | Spacer, Mounting |
| 12 | 21001506 | 21001950 | | MoTor, 2SP 1/2hp 120V/60Hz Hi-Tor |
| 13 | 22002721 | | | Shield, Motor |
| 14 | 35-3571 | | | Slide, Motor Pivot |
| 15 | 33-9967 | | | Washer, Motor Isolator |

| | | | |
|----|--------------------------|--------------------------|-------------------------------|
| 16 | 25-7047 | | Washer, Flat |
| 17 | 25-7325 | Y707702 | Locknut |
| 18 | 12002102 | 12002773 | Spring |
| 19 | 21001166 | | Hook, Suspension Spring |
| 20 | 21001754 | 21001881 | Bar, Stabilizer |
| 21 | 35-2046 | | Bracket, Stabilizer |
| 22 | 35-2052 | | Pin, Stabilizer |
| 23 | 35-3020 | 22004469 | Leg And Foot Self Stabalizing |
| 24 | 25-7828 | 489483 | Screw 10-32 X 1/2 |
| 25 | 21001893 | 12002701 | Base Kit |
| 26 | 25-7845 | | Speednut, Motor |
| 27 | 21001915 | | Hose, Tub To Pump |
| 28 | 35-3507 | 25001119 | Foot And Pad Assembly |
| 29 | 21001161 | 21002026 | Snubber |
| 30 | 21352320 | | Belt, Drive |
| 31 | 25-7830 | | Spacer |
| 32 | 25-6068 | 285655 | Clamp, Hose |
| 33 | 35-2065 | | Pad, Motor Plate |

