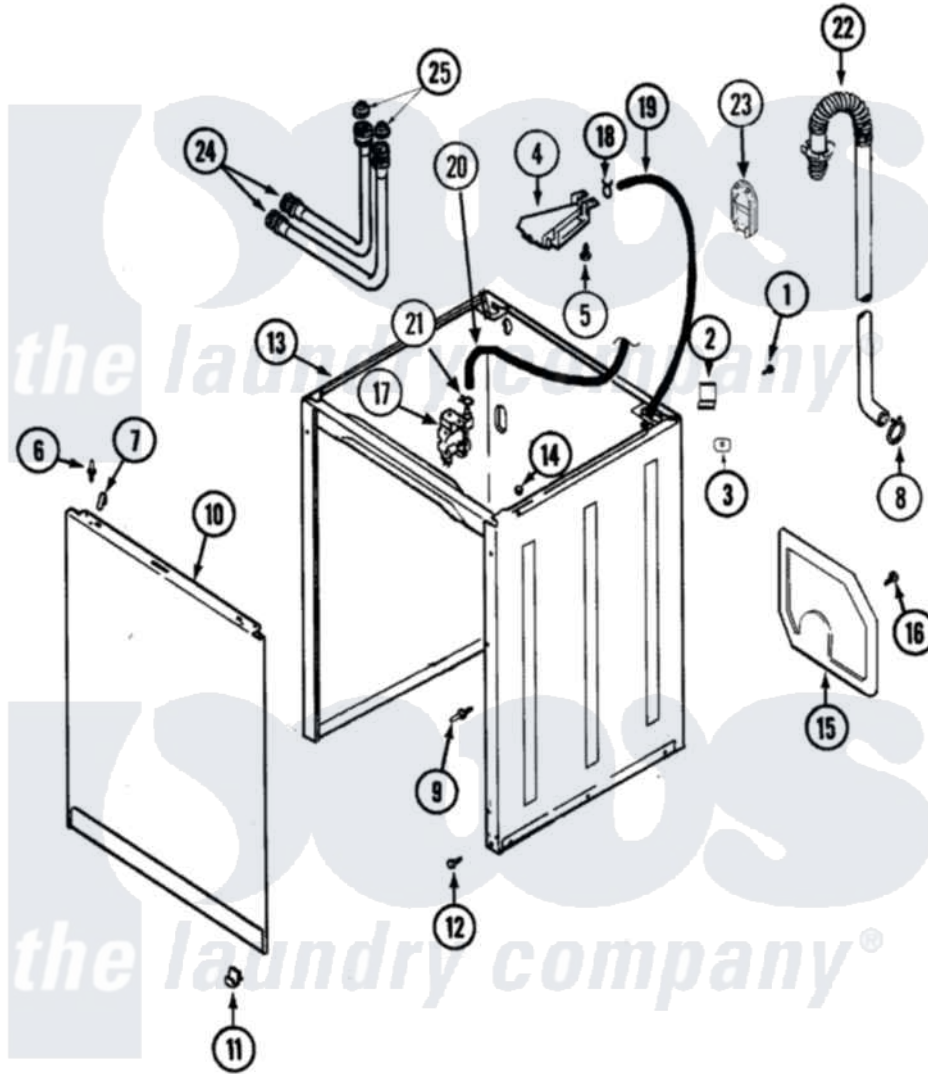


# Maytag PAVS234AWW 02 - CABINET



Maytag [Residential Maytag PAVS234AWW Washer Parts](#) Parts Diagram 02 - CABINET  
 Click on the part number to view part

Item	Original Part Number	Replaced By	Status	Part Description
1	<a href="#">25-7893</a>			Screw
2	<a href="#">35-2846</a>			Hinge, Cabinet Top
3	<a href="#">35-4128</a>			Pad, Hinge
4	<a href="#">21001760</a>			Flume Assembly / Water Diverter
5	25-3092	<a href="#">90767</a>		Screw, 8A X 3/8 HeX Washer Head Tapping
6	25-0224	<a href="#">3400029</a>		Nut, Adapter Plate
"	<a href="#">53-0643</a>			Pin, Locator
7	<a href="#">25-7220</a>			Clip, Cabinet Top
8	21001875	<a href="#">285655</a>		Clamp, Hose
9	<a href="#">21001829</a>			Post, Locating
10	<a href="#">35-2084</a>			Panel, Front
"	<a href="#">21001281</a>			Damper, Sound Pad
"	<a href="#">21002011</a>			Pad, Cabinet
11	<a href="#">53-0120</a>			Clip, Front Panel
"	25-7732	<a href="#">681414</a>		Screw, 10AB X 1/2

12	<a href="#">35-4129</a>		Bumper, Cabinet
13	<a href="#">21001871</a>		Cabinet
14	<a href="#">33-2653</a>		Bumper, Cabinet
15	<a href="#">21001876</a>		Shield, Rear
16	25-7732	<a href="#">681414</a>	Screw, 10AB X 1/2
17	<a href="#">21001932</a>		Valve, Water Inlet
18	25-7867	<a href="#">596669</a>	Clamp, Manifold
19	35-2378	<a href="#">12002749</a>	Hose, Flume Kit
20	21001749	<a href="#">21001748</a>	Hose, Pressure Switch
21	25-7796	<a href="#">596669</a>	Clamp, Manifold
22	<a href="#">21001872</a>		Hose, Drain
23	<a href="#">21001874</a>		Outlet, Drain Hose
24	35-0874	<a href="#">76313</a>	Hosefill
"	33-7891	<a href="#">89503</a>	Hose-Inlet
25	<a href="#">33-4264N</a>		Strainer And Washer Kit

