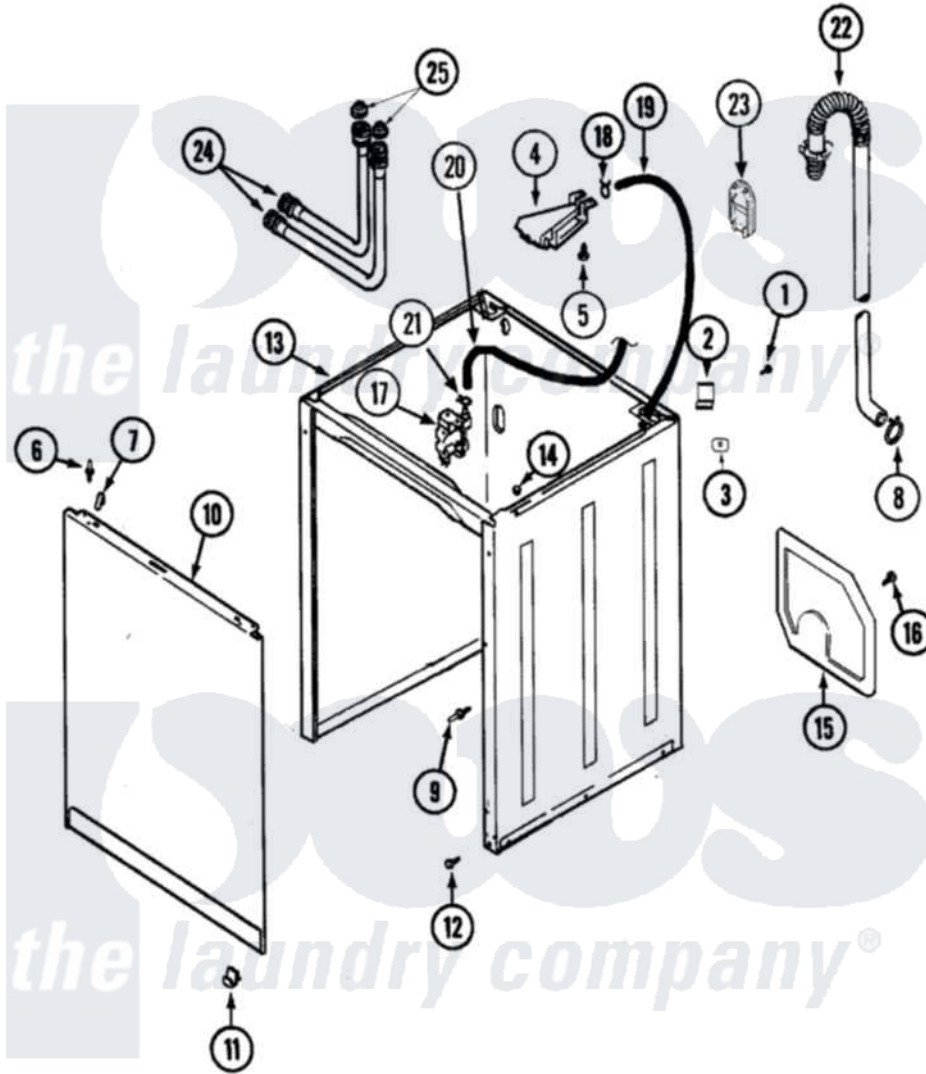


Maytag PAVT444AWW 02 - CABINET



Maytag [Residential Maytag PAVT444AWW Washer Parts](#) Parts Diagram 02 - CABINET
 Click on the part number to view part

| Item | Original Part Number | Replaced By | Status | Part Description |
|------|--------------------------|-------------------------|--------|---|
| 1 | 25-7893 | | | Screw |
| 2 | 35-2846 | | | Hinge, Cabinet Top |
| 3 | 35-4128 | | | Pad, Hinge |
| 4 | 21001857 | | | Clip, Plastic Snap-In |
| " | 21001996 | | | Lead, Harness-Flume |
| " | 21001856 | 489234 | | Washer, Plain |
| " | 21001854 | | | Flume Assembly |
| 5 | 25-3092 | 90767 | | Screw, 8A X 3/8 HeX Washer Head Tapping |
| 6 | 25-0224 | 3400029 | | Nut, Adapter Plate |
| " | 53-0643 | | | Pin, Locator |
| 7 | 25-7220 | | | Clip, Cabinet Top |
| 8 | 21001875 | 285655 | | Clamp, Hose |
| 9 | 21001829 | | | Post, Locating |
| 10 | 35-2084 | | | Panel, Front |
| " | 21001281 | | | Damper, Sound Pad |
| 11 | 25-7732 | 681414 | | Screw, 10AB X 1/2 |

| | | | |
|----|--------------------------|--------------------------|-------------------------|
| " | 53-0120 | | Clip, Front Panel |
| 12 | 35-4129 | | Bumper, Cabinet |
| 13 | 21001871 | | Cabinet |
| 14 | 33-2653 | | Bumper, Cabinet |
| 15 | 21001876 | | Shield, Rear |
| 16 | 25-7732 | 681414 | Screw, 10AB X 1/2 |
| 17 | 21001932 | | Valve, Water Inlet |
| 18 | 25-7867 | 596669 | Clamp, Manifold |
| 19 | 35-2378 | 12002749 | Hose, Flume Kit |
| 20 | 21001749 | 21001748 | Hose, Pressure Switch |
| 21 | 25-7796 | 596669 | Clamp, Manifold |
| 22 | 21001872 | | Hose, Drain |
| 23 | 21001874 | | Outlet, Drain Hose |
| 24 | 33-7891 | 89503 | Hose-Inlet |
| " | 35-0874 | 76313 | Hosefill |
| 25 | 33-4264N | | Strainer And Washer Kit |

