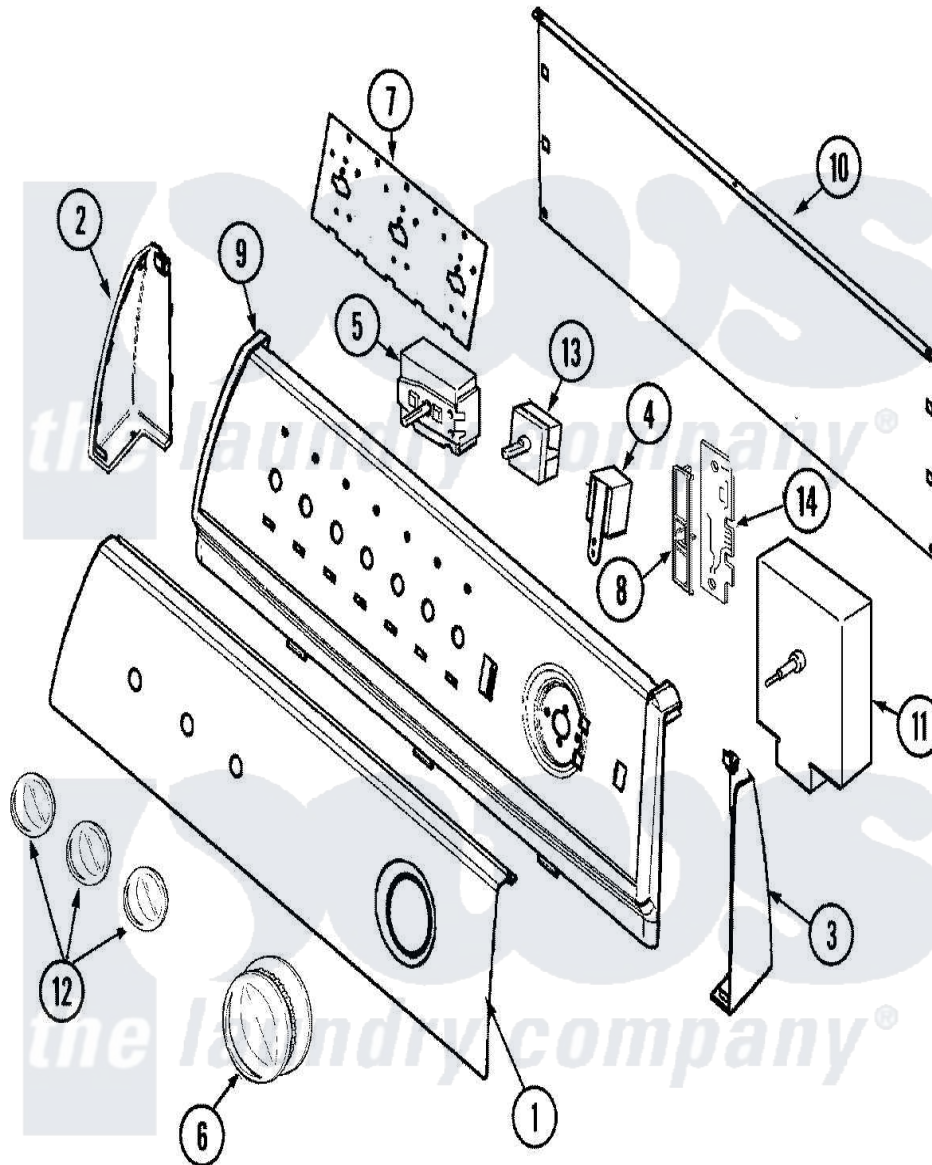


Maytag PYET444AZW 02 - CONTROL PANEL



Maytag [Residential Maytag PYET444AZW Dryer Parts](#) Parts Diagram 02 - CONTROL PANEL
 Click on the part number to view part

Item	Original Part Number	Replaced By	Status	Part Description
1	53-4327			Panel, Control
2	21001519			Endcap
"	25-3092	90767		Screw, 8A X 3/8 HeX Washer Head Tapping
3	21001523			Endcap
"	25-3092	90767		Screw, 8A X 3/8 HeX Washer Head Tapping
4	31001557			Lead Assembly
"	33001848			Signal, End Of Cycle
5	53-4395			Switch, Temperature
"	31001447			Switch, Temperature
"	31001483			Resistor Assembly Temperature
"	31001704			Resistor Assembly Temperature
"	25-3092	90767		Screw, 8A X 3/8 HeX Washer Head Tapping
6	31001550	37001184		Timer Knob And Skirt Assembly

7	21001603		Shield, Control
"	21001517		Shield, Control
8	31001507		Bracket, Circuit Board
9	21002005		Frame, Control Panel
10	21001527		Shield, Rear
"	25-3092	90767	Screw, 8A X 3/8 HeX Washer Head Tapping
11	31001731		Timer
"	25-3092	90767	Screw, 8A X 3/8 HeX Washer Head Tapping
12	21001954		Knob, Selector
13	31001190		Switch, Two Position Rotary
14	33001212		Board, Control-Moisture Sensor
15	53-4454		Harness, Wiring
"	21001978		Lead Assembly
"	31001557		Lead Assembly
"	31001558		Lead Assembly
"	31001559	Not Available	LEAD ASSEMBLY (BUZZER)
"	31001510		Harness, Wire

