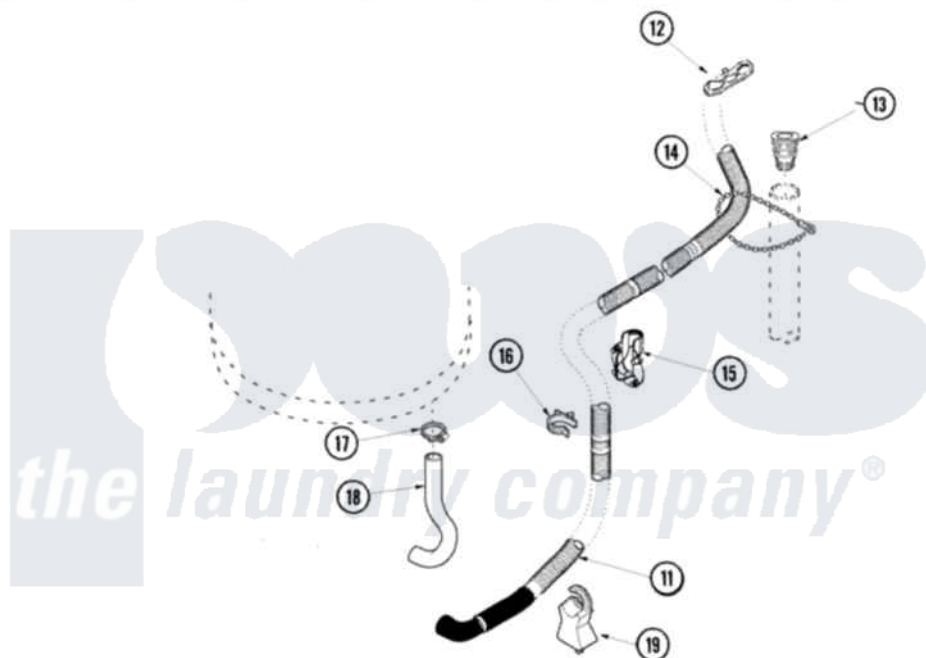
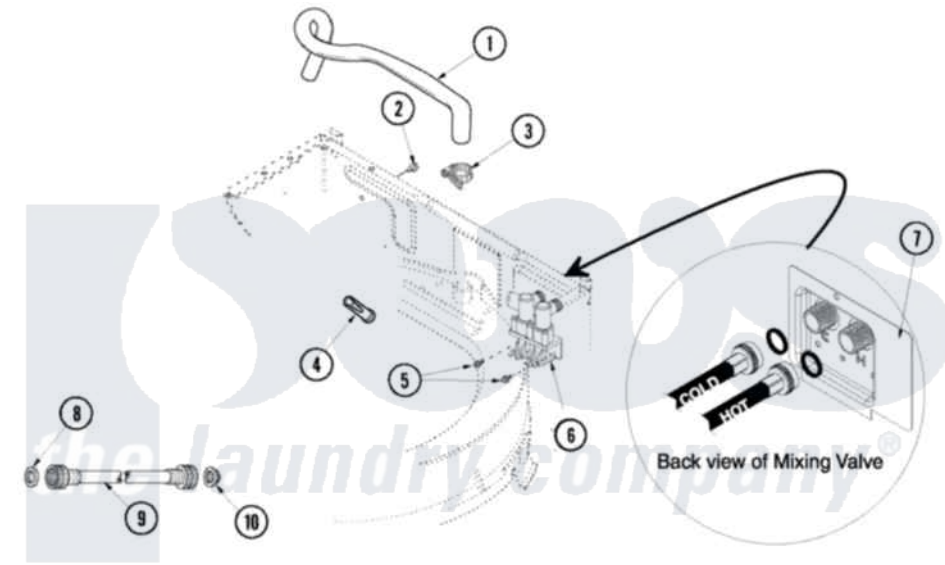


# Maytag SAV515DEWW 03 - MIXING VALVE AND HOSES



Maytag [Residential Maytag SAV515DEWW Washer Parts](#) Parts Diagram 03 - MIXING VALVE AND HOSES  
 Click on the part number to view part

| Item | Original Part Number     | Replaced By              | Status | Part Description                        |
|------|--------------------------|--------------------------|--------|---|
| 1    | <a href="#">27001184</a> |                          |        | Hose, Mixing Valve To Tub               |
| 2    | 503661                   | <a href="#">27001200</a> |        | Screw                                   |
| 3    | Y2200954                 | <a href="#">596669</a>   |        | Clamp, Manifold                         |
| 4    | <a href="#">22001900</a> |                          |        | Preventer, Back Flow                    |
| 5    | 501086                   | <a href="#">90767</a>    |        | Screw, 8A X 3/8 HeX Washer Head Tapping |
| 6    | <a href="#">40107001</a> |                          |        | Valve, Mixing-E2                        |
| 7    | <a href="#">40098801</a> |                          |        | Plate, Mixing Value                     |
| 8    | 20290                    | <a href="#">Y013783</a>  |        | Washer, Inlet Hose                      |
| 9    | 33-7891                  | <a href="#">89503</a>    |        | Hose-Inlet                              |
| "    | 35-0874                  | <a href="#">76313</a>    |        | Hosefill                                |
| 10   | <a href="#">22002960</a> |                          |        | Strainer, Washer Inlet                  |
| 11   | <a href="#">12001585</a> |                          |        | Drain Hose Extension Accessory          |
| "    | <a href="#">40053901</a> |                          |        | Hose, Drain                             |
| 12   | <a href="#">22003814</a> |                          |        | Retainer, Drain Hose                    |
| 13   | <a href="#">40008101</a> |                          |        | Adapter, Standpipe                      |

|    |                          |                         |                      |
|----|--------------------------|-------------------------|----------------------|
| 14 | 33489                    | <a href="#">8539404</a> | Tie-Wire             |
| 15 | <a href="#">40058501</a> |                         | Relief, Strain Drain |
| 16 | <a href="#">36014</a>    |                         | Clip, Retainer-Hose  |
| 17 | 36801                    | <a href="#">596669</a>  | Clamp, Manifold      |
| 18 | <a href="#">40094201</a> |                         | Hose, Tub To Pump    |
| 19 | <a href="#">40044901</a> |                         | Stand, Hose          |

