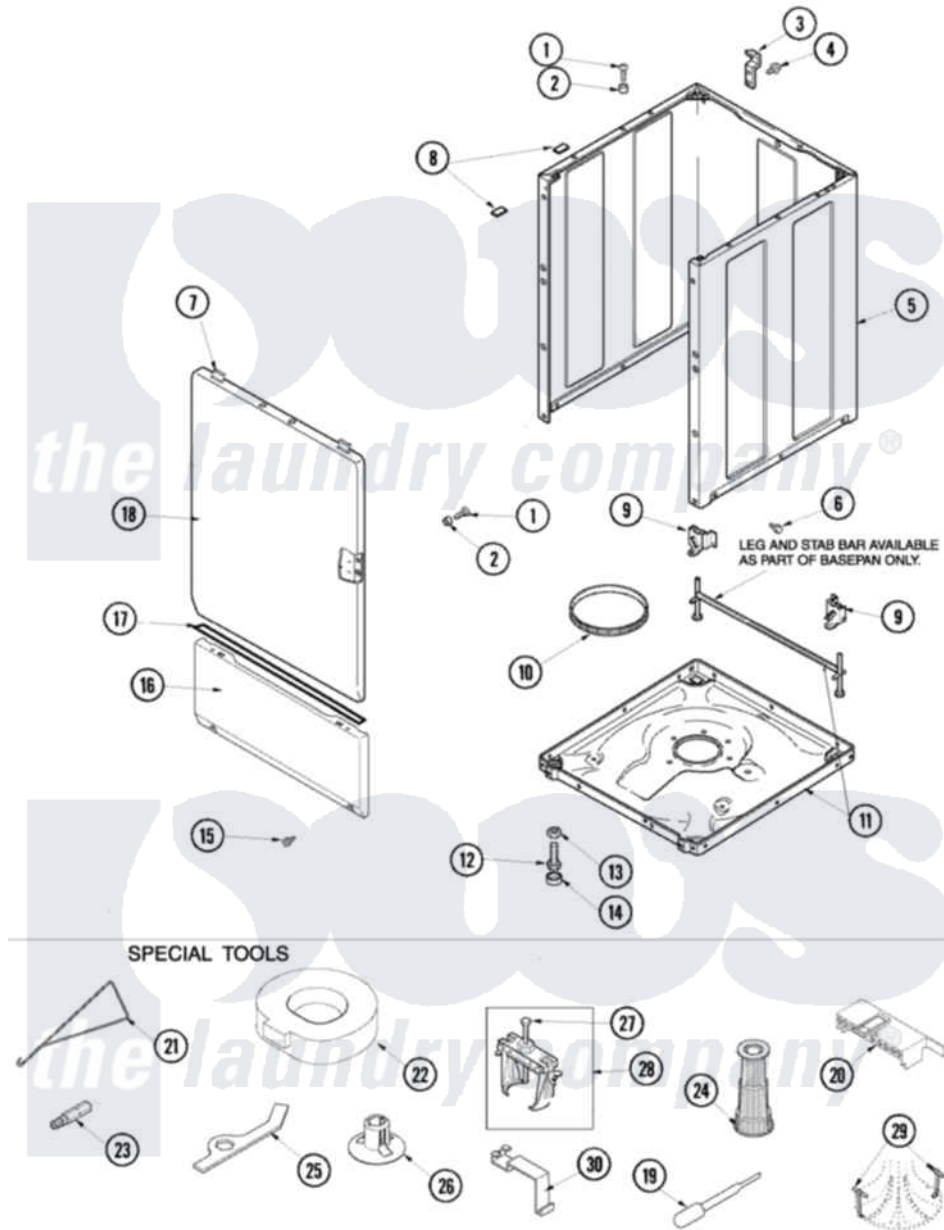


# Maytag SAV5600AWW 01 - CABINET, BASE & SPECIAL TOOLS



Maytag [Residential Maytag SAV5600AWW Washer Parts](#) Parts Diagram 01 - CABINET, BASE & SPECIAL TOOLS  
 Click on the part number to view part

Item	Original Part Number	Replaced By	Status	Part Description
1	32671	<a href="#">Y014874</a>		Screw, Idler Arm And Sleeve
2	<a href="#">505187</a>			Locator, Panel
3	<a href="#">500003</a>			Hinge, Top
4	40064801	<a href="#">3390631</a>		Screw, 10-16 X 3/8
5	40076401WP	<a href="#">37001284</a>		Cabinet As Pack
6	40038201	<a href="#">27001200</a>		Screw
7	56080	<a href="#">22001650</a>		Fastener, Spring
"	501086	<a href="#">90767</a>		Screw, 8A X 3/8 HeX Washer Head Tapping
"	<a href="#">40034202</a>			Clip, Spring
8	<a href="#">Y56128</a>			Pad, Bumper
9	<a href="#">40031501</a>			Bracket, Self Leveling
10	<a href="#">40037401</a>			Ring, Friction
11	40031201P	<a href="#">27001226</a>		Base Lev
12	40039001	<a href="#">22003428</a>		Leg, Adjustable
13	<a href="#">40038101</a>			Nut, Leg
14	<a href="#">40016001</a>			Foot, Rubber

15	<a href="#">40034101</a>		Screw, No.12bx1/2
16	<a href="#">40045301WP</a>		Panel, Access
17	<a href="#">40083101</a>		Tape, Foam
18	<a href="#">40035401WP</a>		Panel, Front
20	<a href="#">34677</a>		10 Circuit Plug
21	<a href="#">321P4</a>		Hook, Spring
22	40068201	<a href="#">27001185</a>	Brace- Shp
23	<a href="#">282P4</a>		T25 Tamper Resistant Bit
24	<a href="#">293P4</a>		Seal Tool
"	<a href="#">283P4</a>		Terminal Extractor Tool
25	<a href="#">306P4</a>		Hex Wrench
26	40047301	<a href="#">27001185</a>	Brace- Shp
27	<a href="#">294P4B</a>		Drive Bell Bolt
28	<a href="#">294P4</a>		Bell Tool
29	<a href="#">254P4P</a>		Agitator Hooks
30	<a href="#">273P4</a>		Tub Cover Gasket Tool

