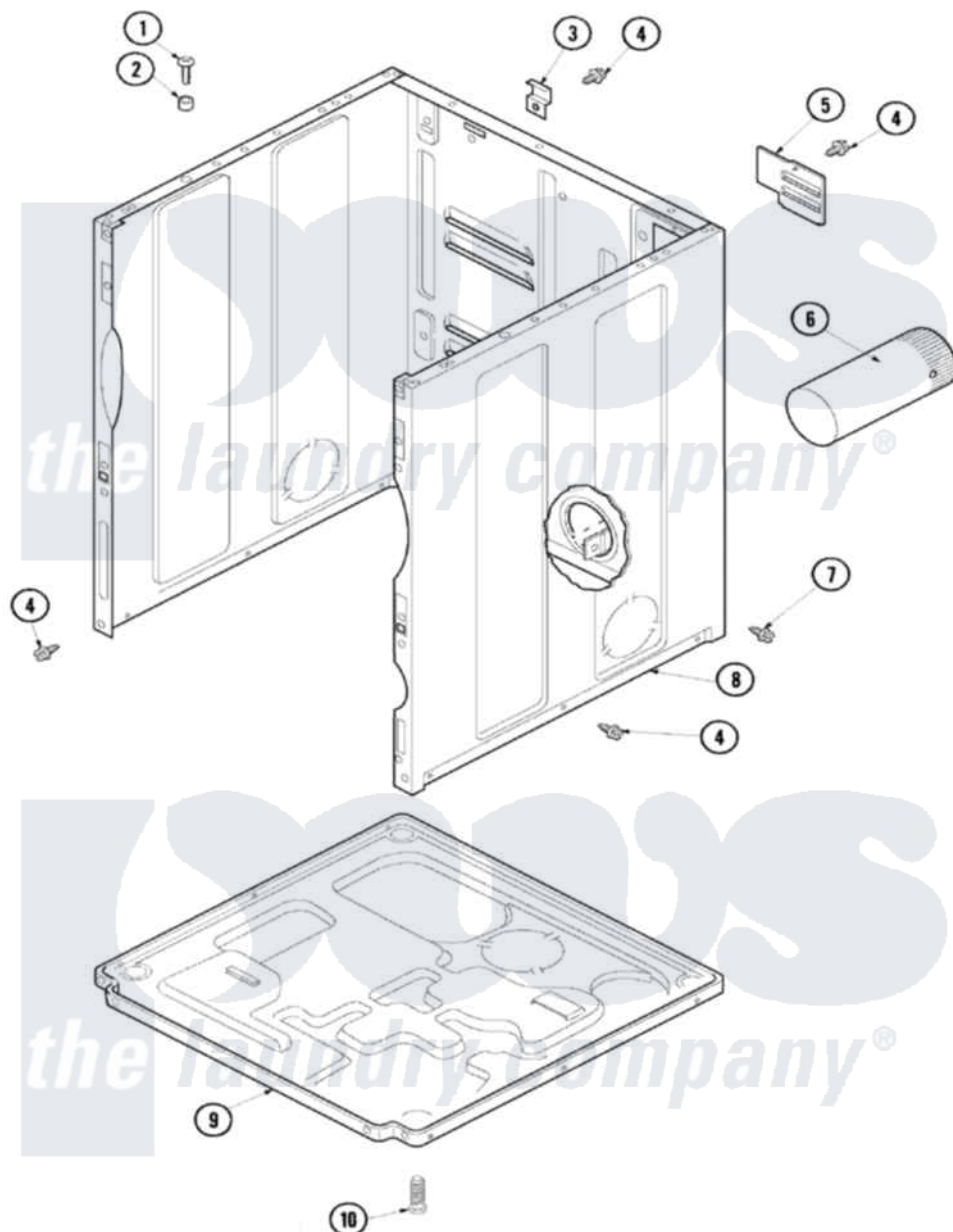


Maytag SDE4000AZW 01 - CABINET & BASE



Maytag Residential Maytag SDE4000AZW Dryer Parts Parts Diagram 01 - CABINET & BASE
 Click on the part number to view part

| Item | Original Part Number | Replaced By | Status | Part Description |
|------|-------------------------|--------------------------|--------|-----------------------------|
| 1 | 32671 | Y014874 | | Screw, Idler Arm And Sleeve |
| 2 | 505187 | | | Locator, Panel |
| 3 | 500003 | | | Hinge, Top |
| 4 | 503661 | 27001200 | | Screw |
| 5 | 500114 | 510903 | | Plate Access Panel |
| 6 | 505518 | | | Duct, Exhaust |
| 7 | 503688 | | | Screw, 10B-16 X .34 I |
| 8 | 40076402WP | 37001284 | | Cabinet As Pack |
| 9 | 500070 | | | Base, Dryer |
| 10 | Y500101 | | | Leg, Leveling |
| 11 | 40097501 | 33002916 | | Power Cord, Canadian 240V |