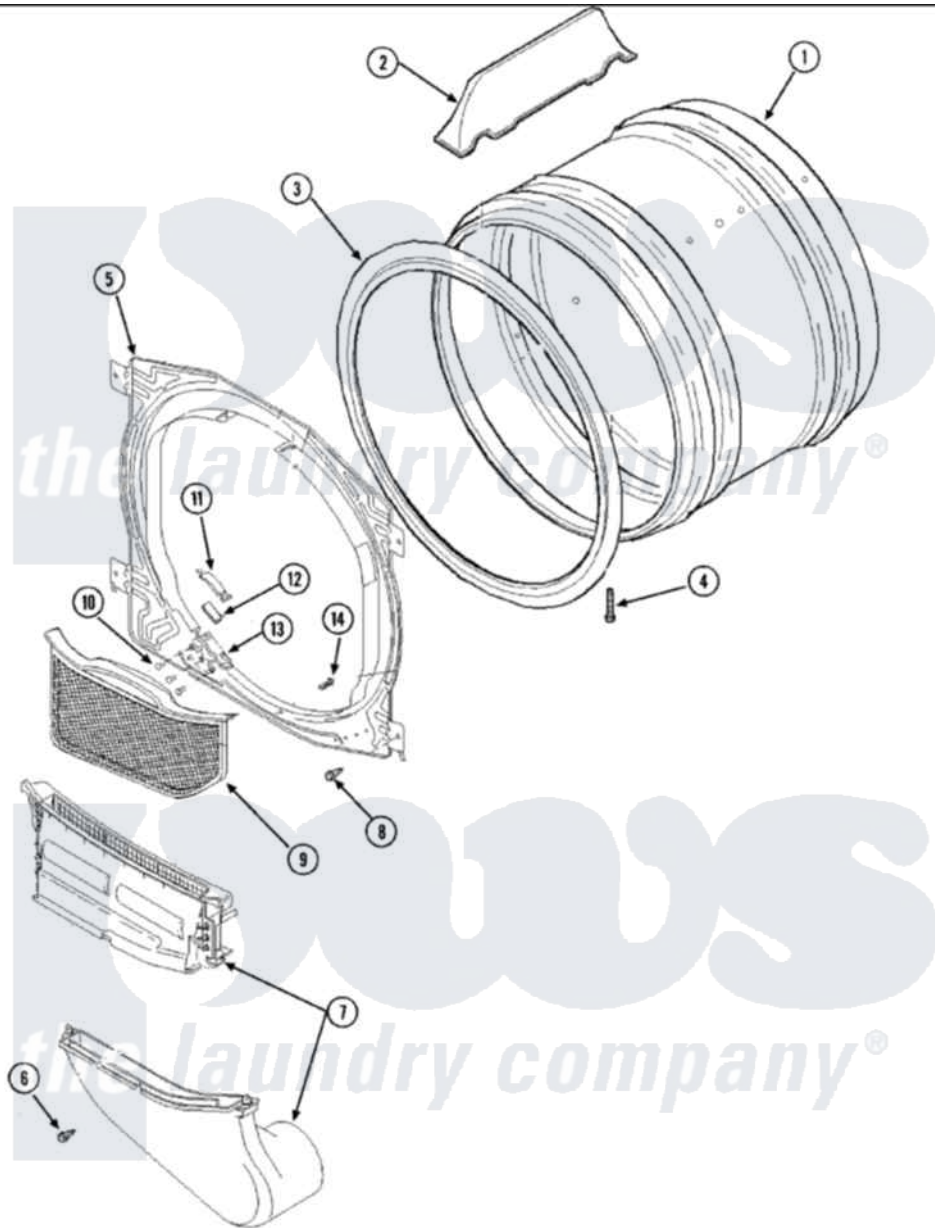


# Maytag SDG2606AWW 04 - FRONT BULKHEAD, AIR DUCT & CYLINDER



Maytag Residential Maytag SDG2606AWW Dryer Parts Diagram 04 - FRONT BULKHEAD, AIR DUCT & CYLINDER

Click on the part number to view part

Item	Original Part Number	Replaced By	Status	Part Description
1	<a href="#">504467WP</a>			Cylinder Assembly
2	503703	<a href="#">12002559</a>		Baffle Kit
3	501801	<a href="#">37001132</a>		Seal, Cylinder
4	<a href="#">Y62588</a>			Screw, 10BT-12 X 1 Tap
5	<a href="#">503756W</a>			Assembly, Blkhhd Front CO
6	<a href="#">501285</a>			Screw, No.12 X 9/16-Pla
7	40124501	<a href="#">37001141</a>		Air Duct Assembly
8	<a href="#">503688</a>			Screw, 10B-16 X .34 I
9	40124401	<a href="#">37001142</a>		Filter, Lint
10	37001031	<a href="#">3370225</a>		Screw
11	40116501	<a href="#">37001298</a>		Glide- Dry
12	500092	<a href="#">510189</a>		Pad Felt
13	<a href="#">37001036</a>			Bracket, Cylinder Glide
14	<a href="#">500226</a>			Screw, 8b-16 x 5/8 Tap