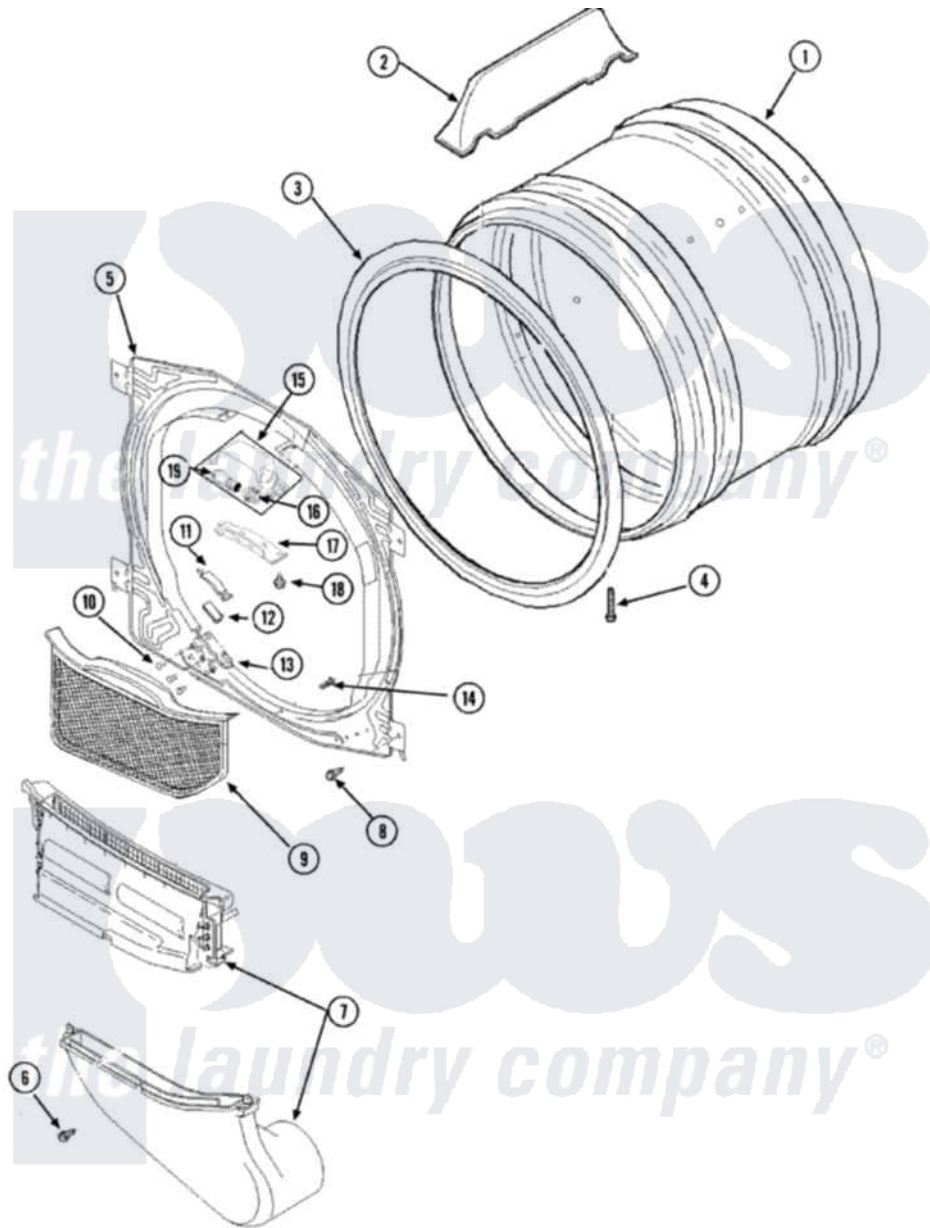


Maytag SDG3606AWW 04 - FRONT BULKHEAD, AIR DUCT & CYLINDER



Maytag Residential Maytag SDG3606AWW Dryer Parts Parts Diagram 04 - FRONT BULKHEAD, AIR DUCT & CYLINDER

Click on the part number to view part

Item	Original Part Number	Replaced By	Status	Part Description
1	504467WP			Cylinder Assembly
2	503703	12002559		Baffle Kit
3	501801	37001132		Seal, Cylinder
4	Y62588			Screw, 10BT-12 X 1 Tap
5	503616WP			Assembly, Frt Bulkhead
6	501285			Screw, No.12 X 9/16-Pla
7	40124501	37001141		Air Duct Assembly
8	503688			Screw, 10B-16 X .34 I
9	40124401	37001142		Filter, Lint
10	37001031	3370225		Screw
11	40116501	37001298		Glide- Dry
12	500121	510189		Pad Felt
13	37001036			Bracket, Cylinder Glide
14	500226			Screw, 8b-16 x 5/8 Tap
15	Y504452			Light Assembly
16	504458	Y504452		Light Assembly

17 [40094301](#)

Lens, Light

18 [505295](#)

Screw, No.8ab-16 x 3/4 PH

19 Y60954

[67001316](#)

Bulb, Light

