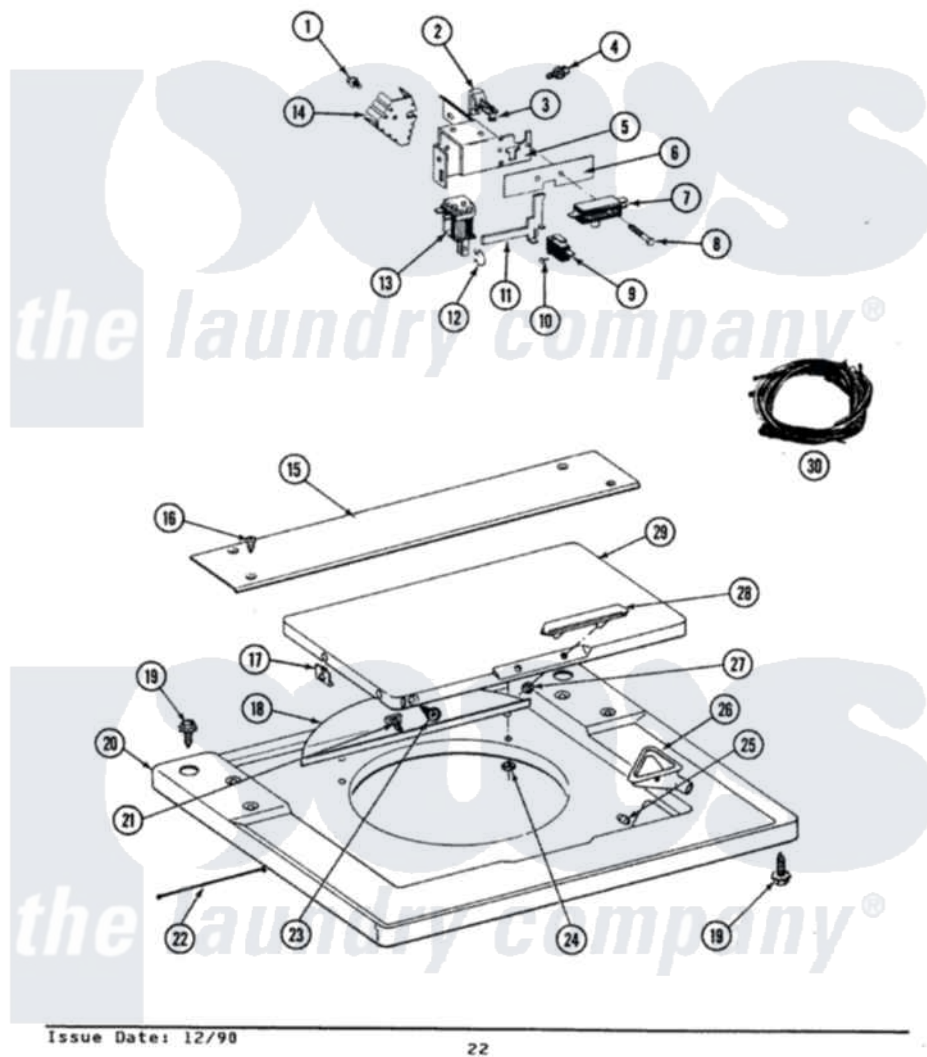


# Maytag SE7800 14 - TOP COVER, LID & LID LOCK ASSEMBLY

SECTION: TOP COVER, LID & LID LOCK ASSEMBLY  
 MODEL: SE7800 S67800



Issue Date: 12/98

22

Maytag Residential Maytag SE7800 Stacked Washer and Dryer Parts Parts Diagram 14 - TOP COVER, LID & LID LOCK ASSEMBLY

[Click on the part number to view part](#)

Item	Original Part Number	Replaced By	Status	Part Description
1	810146		Not Available	SCREW
2	215378		Not Available	LID SWITCH LEVER
3	213648	<a href="#">98165</a>		Screw
4	211000			SCREW, BRAKE DRUM (HEX HEAD)
5	215379		Not Available	BRACKET, LID SWITCH/LATCH
6	<a href="#">215270</a>			Moisture Barrier
7	205415	<a href="#">279347</a>		Switch-Lid
8	215943		Not Available	MOISTURE BARRIER
"	215381		Not Available	SCREW
9	<a href="#">207780</a>			Switch, Lid Latch Assembly
10	912012	<a href="#">3400409</a>		Screw
11	215268		Not Available	LID LATCH LEVER
12	215938		Not Available	SPRING FOR SOLENOID
13	207781		Not Available	SOLENOID, LID LATCH ASSY

14	<a href="#">215966</a>		Heat Sink---NA
15	215245	Not Available	BRIDGE FOR TOP COVER NA
16	314664	<a href="#">212277</a>	Screw, No.8 X 1/2 Inch
17	<a href="#">215253</a>		Key Hole Glide
18	215246	Not Available	SPLASH SHIELD
19	<a href="#">214354</a>		Screw, Top Cover To Cabnt.
20	207579	Not Available	TOP COVER (WHITE)
21	215254	Not Available	LATCH HOOK
22	215274	Not Available	TOP COVER RESTRAINT
23	212087	<a href="#">25-7809</a>	Screw, No.6-20 1/2 Flthd Torx
"	<a href="#">211500</a>		Washer, Bracket To Top Cover
24	<a href="#">215249</a>		Palnut-Retainer
25	215247	Not Available	BUMPER FOR LID
26	215374	Not Available	GASKET FOR BLEACH CUP
"	215579	<a href="#">215580</a>	Cup, Bleach
27	<a href="#">215551</a>		Palnut
28	<a href="#">215550</a>		Stud For Lid Handle
"	<a href="#">206667</a>		Handle With Nuts
29	215251	Not Available	LID-WHITE
30	207793	Not Available	WIRE HARNESS

