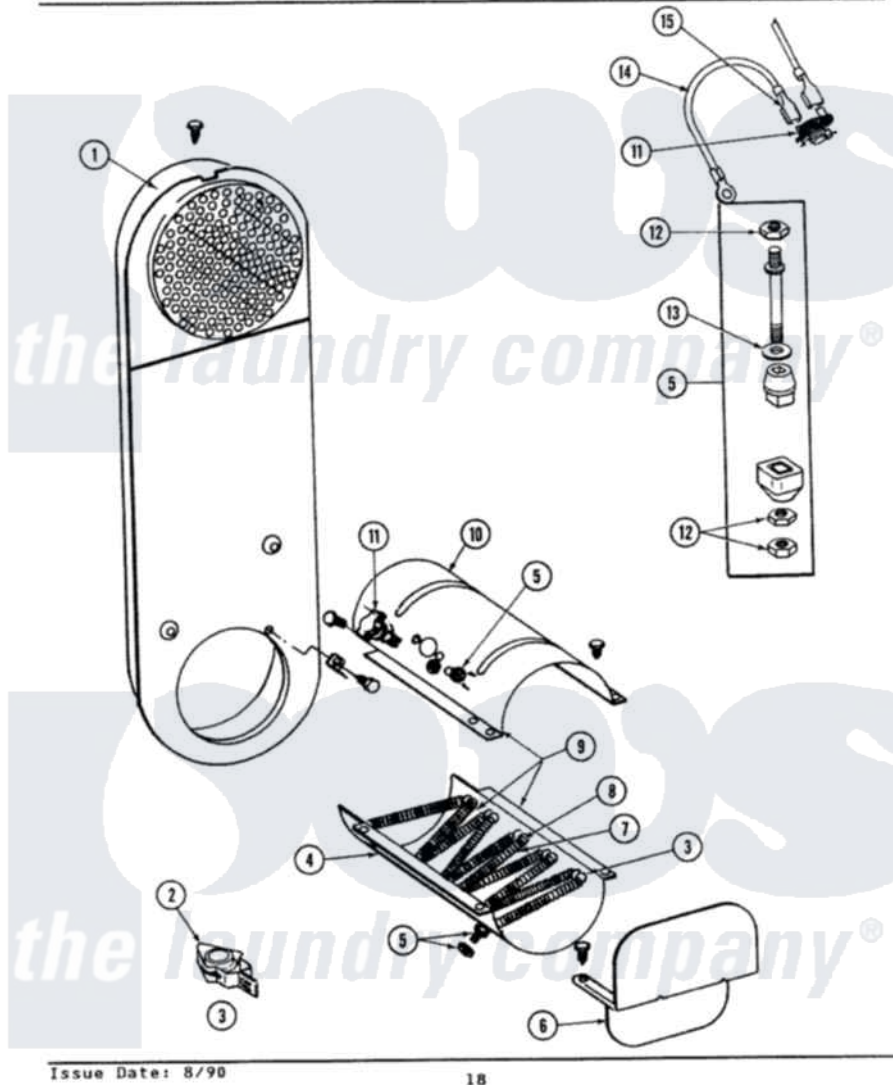


Maytag SE9900 09 - INLET DUCT & HEATER ASSEMBLY (SE9900)

SECTION: INLET DUCT & HEATER ASSEMBLY
 MODEL: SE-SG9900



Issue Date: 8/90

18

Maytag Residential Maytag SE9900 Stacked Washer and Dryer Parts Parts Diagram 09 - INLET DUCT & HEATER ASSEMBLY (SE9900)

[Click on the part number to view part](#)

Item	Original Part Number	Replaced By	Status	Part Description
1	211294	90767		Screw, 8A X 3/8 HeX Washer Head Tapping
"	Y303362			Inlet Duct Assembly - DE
2	Y313270			Insulator For Heater Elemen
3	Y303881			Clip And Insulator Assembly
4	314501			Heater Enclosure-Bottom
"	211294	90767		Screw, 8A X 3/8 HeX Washer Head Tapping
5	Y304596			Terminal Insulator Assembly
6	211294	90767		Screw, 8A X 3/8 HeX Washer Head Tapping
"	314504			Radiant Shield
7	314503			Heater Coil 240 Volt
8	306378		Not Available	HEATING ELEMENT KIT - 208V
9	Y306111			Heater Assembly Complete
"	Y306379		Not Available	HEATER ASSM. COMPLETE - 208

10	314502		Heater Enclosure-Top
11	303896		Hi-Limit Thermostat-Canada
"	303396		Thermostat, Hi-Limit
"	211294	90767	Screw, 8A X 3/8 HeX Washer Head Tapping
12	311484	112432	Nut
13	311093		Washer, Terminal Connection
14	Y304693		Jumper Wire
15	210745		Wire Terminal

