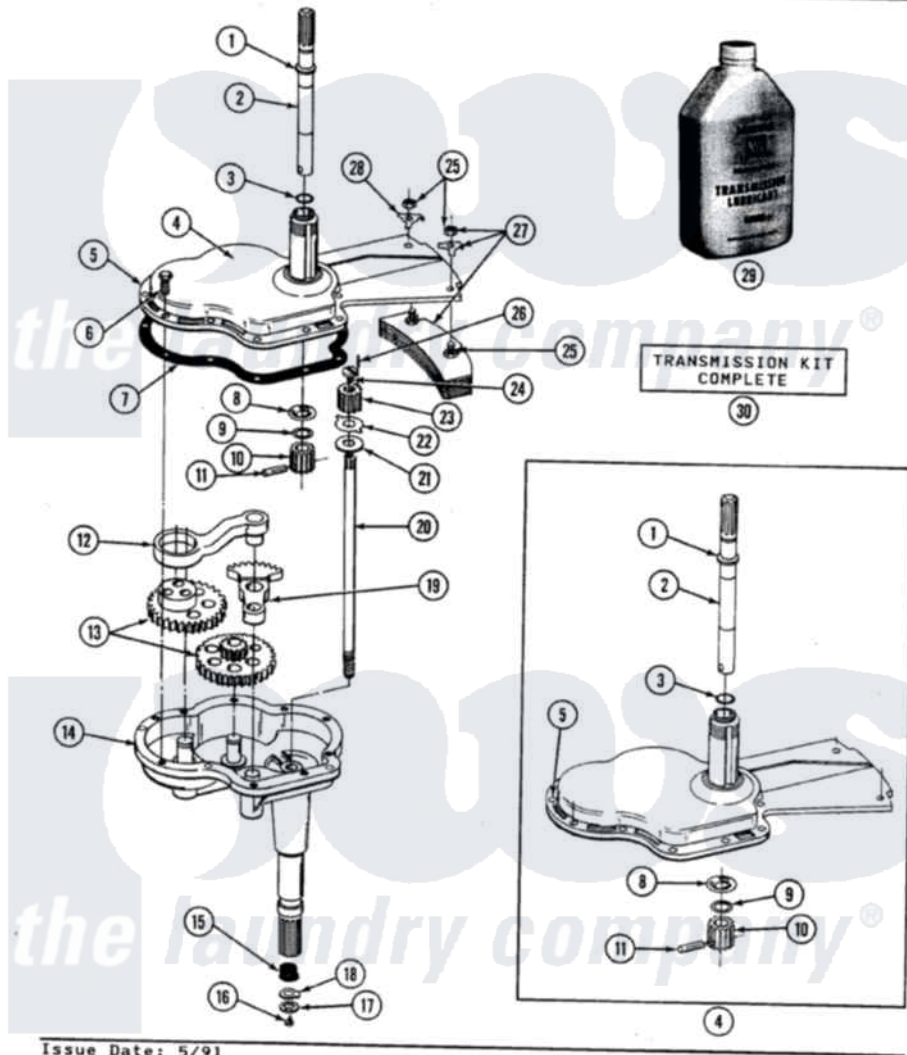


# Maytag SG1000 16 - TRANSMISSION

SECTION: TRANSMISSION  
MODEL: SE-S61000

P/N 56287R1



Issue Date: 5/91

34

Maytag Residential Maytag SG1000 Stacked Washer and Dryer Parts Parts Diagram 16 - TRANSMISSION  
Click on the part number to view part

Item	Original Part Number	Replaced By	Status	Part Description
1	<a href="#">Y014839</a>			Collar-Drive Shaft
2	200730	<a href="#">22002124</a>		Shaft- Agi
3	<a href="#">210690</a>			Seal, Rubber
4	200813		Not Available	GEAR CASE COVER ASSEMBLY
5	<a href="#">015639</a>			Dowel Pin
6	<a href="#">Y015629</a>			Bolt, Grinding Chamber
7	210632	<a href="#">22210632</a>		Gasket
8	<a href="#">Y015902</a>			Spring For Agitator
9	<a href="#">Y014827</a>			Washer-Center Shaft
10	<a href="#">210054</a>			Pinion
11	<a href="#">210183</a>			Groove Pin
12	201463		Not Available	PITMAN WITH WRIST PIN
13	<a href="#">204967</a>			Gear Kit-Power Fin Agitator
14	203193		Not Available	GEAR HOUSING W/STUDS & TUBE
15	206602	<a href="#">207843</a>		Lip Seal Repair Kit

16	211375	<a href="#">681582</a>	Screw
17	211090	<a href="#">22003555</a>	Washer, Stop Lug
18	<a href="#">211089</a>		Lug, Stop Pulley
19	<a href="#">210670</a>		Segment
20	<a href="#">213044</a>		Shaft, Center
"	<a href="#">210286</a>		Seal
21	211483	<a href="#">6-2114830</a>	Washer- SP
22	<a href="#">211484</a>		Washer, Lug
23	<a href="#">210315</a>		Pinion
24	<a href="#">211486</a>		Screw, 3/8-16 X 1/2 Inch
25	Y052740	<a href="#">62739</a>	Nut, Lock
26	<a href="#">211487</a>		Groov-Pin
27	<a href="#">205811</a>		Counterweight
28	<a href="#">210172</a>		Lock Washer
29	Y056080	<a href="#">6-0560800</a>	Oil
30	207929		Not Available
			TRANSMISSION KIT S1000

