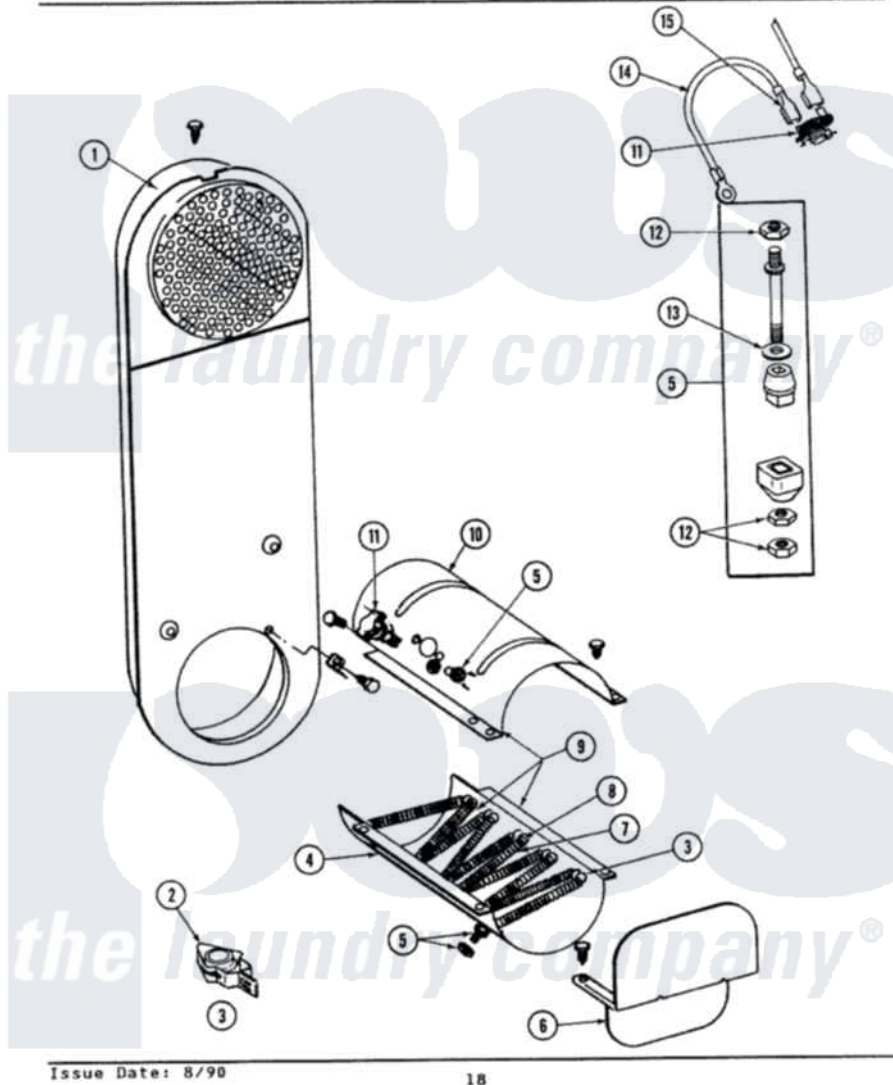


Maytag SG9900 09 - INLET DUCT & HEATER ASSEMBLY (SE9900)

SECTION: INLET DUCT & HEATER ASSEMBLY
 MODEL: SE-SG9900



Maytag Residential Maytag SG9900 Stacked Washer and Dryer Parts Parts Diagram 09 - INLET DUCT & HEATER ASSEMBLY (SE9900)

[Click on the part number to view part](#)

| Item | Original Part Number | Replaced By | Status | Part Description |
|------|-------------------------|-----------------------|---------------|---|
| 1 | Y303362 | | | Inlet Duct Assembly - DE |
| 2 | Y313270 | | | Insulator For Heater Elemen |
| 3 | Y303881 | | | Clip And Insulator Assembly |
| 4 | 211294 | 90767 | | Screw, 8A X 3/8 HeX Washer Head Tapping |
| " | 314501 | | | Heater Enclosure-Bottom |
| 5 | Y304596 | | | Terminal Insulator Assembly |
| 6 | 211294 | 90767 | | Screw, 8A X 3/8 HeX Washer Head Tapping |
| " | 314504 | | | Radiant Shield |
| 7 | 314503 | | | Heater Coil 240 Volt |
| 8 | 306378 | | Not Available | HEATING ELEMENT KIT - 208V |
| 9 | Y306111 | | | Heater Assembly Complete |
| " | Y306379 | | Not Available | HEATER ASSM. COMPLETE - 208 |
| 10 | 314502 | | | Heater Enclosure-Top |

| | | | |
|----|-------------------------|------------------------|---|
| 11 | 303896 | | Hi-Limit Thermostat-Canada |
| " | 303396 | | Thermostat, Hi-Limit |
| " | 211294 | 90767 | Screw, 8A X 3/8 HeX Washer Head Tapping |
| 12 | 311484 | 112432 | Nut |
| 13 | 311093 | | Washer, Terminal Connection |
| 14 | Y304693 | | Jumper Wire |
| 15 | 210745 | | Wire Terminal |

