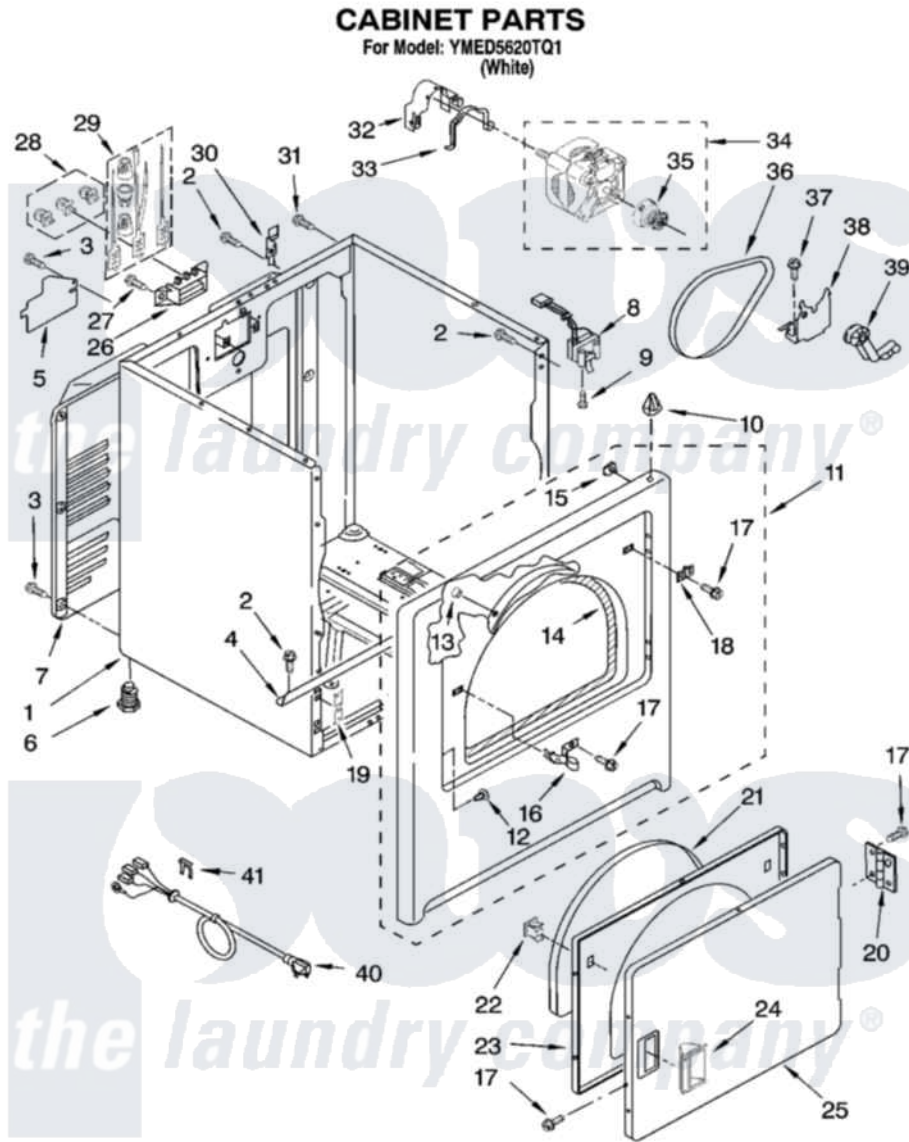


# Maytag YMED5620TQ1 02 - CABINET PARTS



W10169068

3

Maytag [Residential Maytag YMED5620TQ1 Dryer Parts](#) Parts Diagram 02 - CABINET PARTS  
 Click on the part number to view part

| Item | Original Part Number    | Replaced By             | Status        | Part Description          |
|------|-------------------------|-------------------------|---------------|---------------------------|
| 1    | 8530603                 | <a href="#">8533643</a> |               | Cabinet                   |
| 2    | 343641                  | <a href="#">681414</a>  |               | Screw, 10AB X 1/2         |
| 3    | <a href="#">693995</a>  |                         |               | Screw, Hex Head           |
| 4    | <a href="#">8541400</a> |                         |               | Bracket, Cabinet          |
| 5    | 3394202                 |                         | Not Available | Cover, Terminal Block     |
| 6    | 3392100                 | <a href="#">49621</a>   |               | Feet-Leveling             |
| "    | <a href="#">279810</a>  |                         |               | Foot-Optional             |
| 7    | 3396805                 | <a href="#">280043</a>  |               | Panel-Rear                |
| 8    | <a href="#">3406107</a> |                         |               | Door Switch Assembly      |
| 9    | 697773                  | <a href="#">3395530</a> |               | Screw                     |
| 10   | 690363                  | <a href="#">18776</a>   |               | Lock, Front Top           |
| 11   | 3403444                 | <a href="#">279852</a>  |               | Panel                     |
| 12   | <a href="#">3404413</a> |                         |               | Plug, Hinge Hole          |
| 13   | 685203                  | <a href="#">279220</a>  |               | Clip                      |
| 14   | <a href="#">3406129</a> |                         |               | Seal And Bearing Assembly |
| 15   | <a href="#">98234</a>   |                         |               | Clip, U-Bend              |

|    |                         |                           |  |
|----|-------------------------|---------------------------|--|
| 16 | <a href="#">3403431</a> |                           | Strike, Panel                          |
| 17 | 342055                  | <a href="#">488627</a>    | Screw                                  |
| 18 | <a href="#">3403630</a> |                           | Plug, Strike Hole                      |
| 19 | <a href="#">3394083</a> |                           | Clip, Front Panel                      |
| 20 | 3405514                 | <a href="#">W10362431</a> | Hinge And Pin Assembly                 |
| 21 | <a href="#">3405246</a> |                           | Seal, Door Push-To-Start               |
| 22 | <a href="#">3389441</a> |                           | Door Catch Assembly                    |
| 23 | <a href="#">3402341</a> |                           | Door, Inner                            |
| 24 | <a href="#">8565970</a> |                           | Handle, Door                           |
| 25 | <a href="#">3402335</a> |                           | Door, Front                            |
| 26 | <a href="#">3397659</a> |                           | Block, Terminal                        |
| 27 | 3393008                 | <a href="#">308685</a>    | Side Trim )                            |
| 28 | <a href="#">279393</a>  |                           | Terminal Block Screw Kit               |
| 29 | <a href="#">279318</a>  |                           | Terminal Tinned And Brass Panel        |
| 30 | <a href="#">8066217</a> |                           | Hinge, Top                             |
| 31 | 697776                  | <a href="#">4331106</a>   | Screw, No.10-32 X 7/16                 |
| 32 | <a href="#">3404162</a> |                           | Clamp, Motor                           |
| 33 | <a href="#">660658</a>  |                           | Clamp, Motor Mounting<br>343481 685441 |
| 34 | 8066206                 | <a href="#">279827</a>    | Motor-Drve                             |
| 35 | <a href="#">8066184</a> |                           | Pulley, Motor                          |
| 36 | W10131364               | <a href="#">341241</a>    | Belt                                   |
| 37 | <a href="#">3400500</a> |                           | Bolt, 3405245 5/16-18 X 3/4            |
| 38 | <a href="#">348780</a>  |                           | Base, Motor                            |
| 39 | <a href="#">691366</a>  |                           | Idler And Pulley Assembly              |
| 40 | <a href="#">3394208</a> |                           | Cord, Power                            |
| 41 | <a href="#">694415</a>  |                           | Clip, Strain Relief                    |

*the laundry company*<sup>®</sup>

*the laundry company*<sup>®</sup>